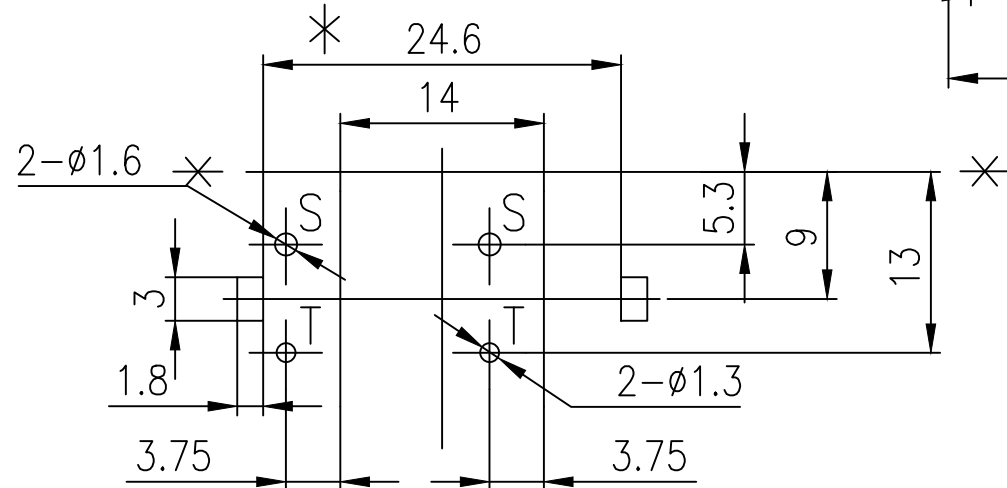
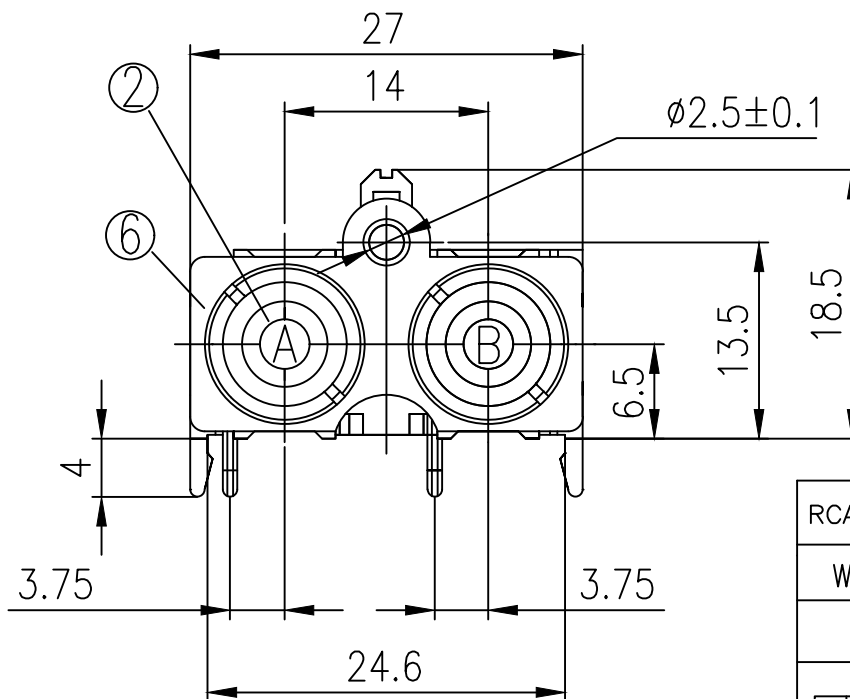
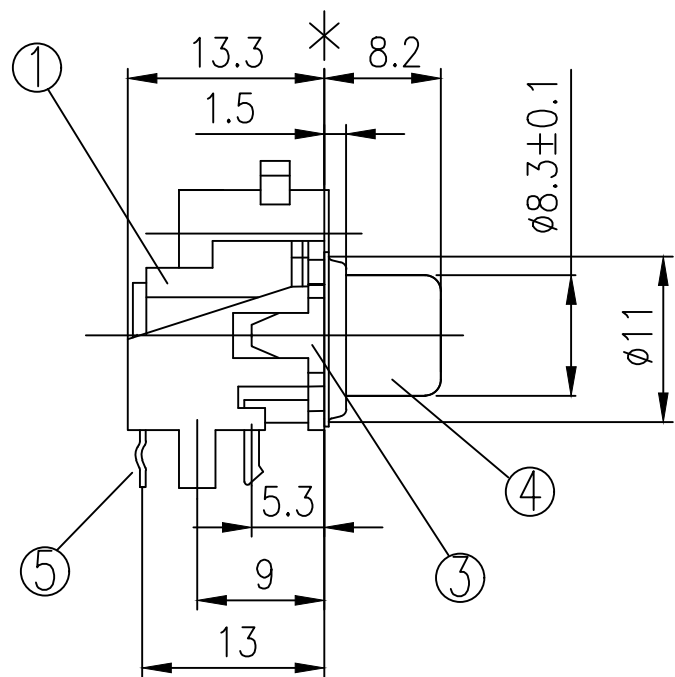


\* RoHS COMPLIANT \*

REVISIONS				
LTR	DESCRIPTION	DATE	REVISED	APPROVED



T:1.6 Dimensions of PC board holes  
Tolerance : ±0.05(Printed-bottom view)

UNLESS OTHERWISE SPECIFIED, TOLERANCE ON DECIMAL:±0.3

RCA-252V1-04H	A	B
WASHER COLOR	RED	WHITE
SCHEMATIC		

6	SEALED PLATE	1	C2680	t=0.25	Cu/Sn PLATED
5	TERMINAL	2	C2680	t=0.40	Cu/Sn PLATED
4	OUTER CONTACT	2	C2680	t=0.30	Cu/Sn PLATED
3	COVER	1	ABS		UL-94HB(BLACK)
2	WASHER	2	PBT		UL-94V0
1	HOUSING	1	PBT		UL-94V0(BLACK)

LTR	PART NAME	QTY	MATERIAL	REMARK
DWN	LILY	DATE	2013.03.28	3RD ANGLE PROJECTION
CHKD	ANDY	DATE	2013.03.28	
APVD	JON	DATE	2013.03.28	
				UNIT: mm

JKCR Electronics Co., Ltd.

NAME	PIN JACK
CAT. NO.	RCA-252V1-04H
DWN.NO.	C-252V1
	001