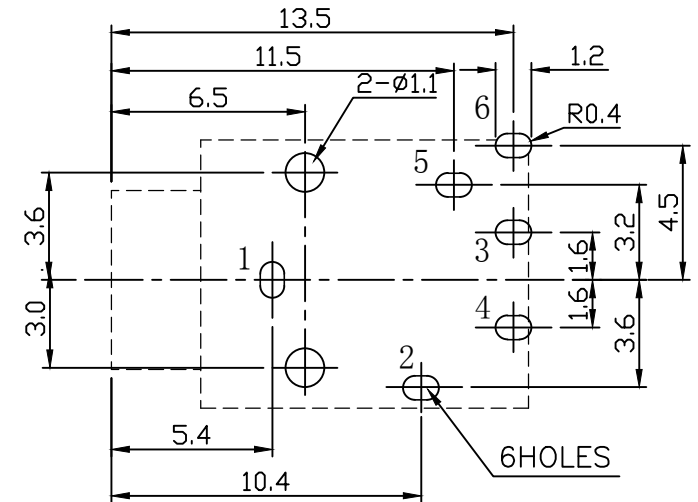
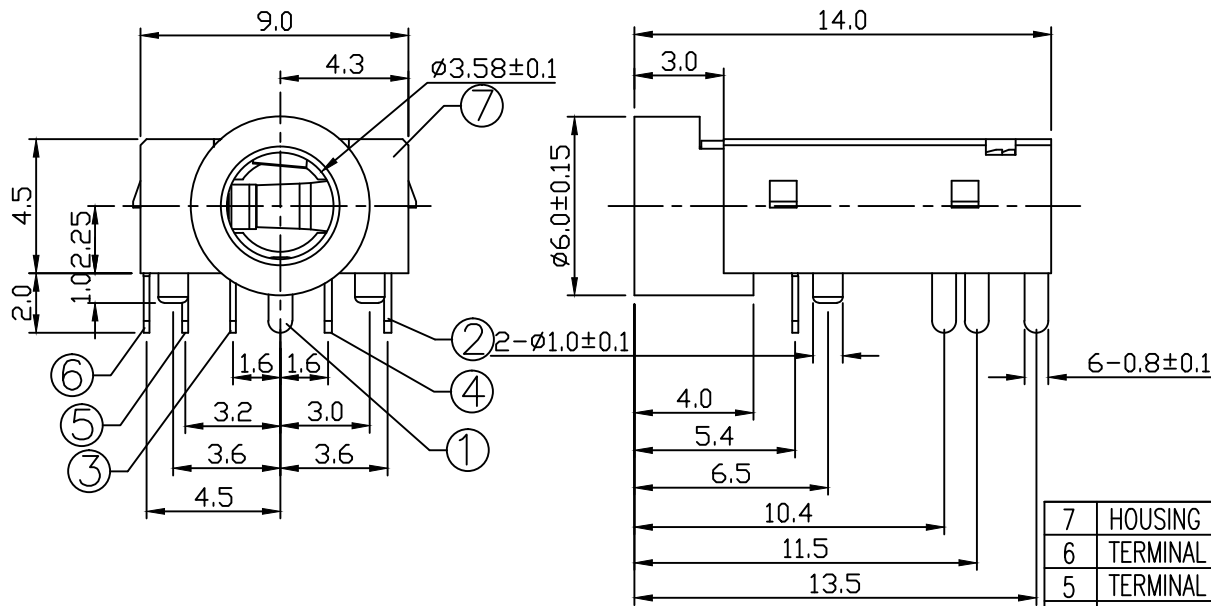
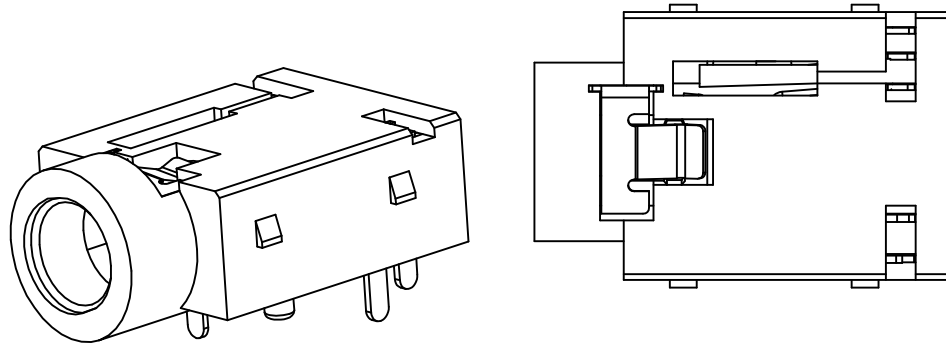
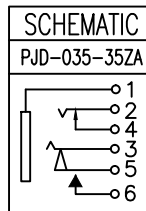


\* RoHS COMPLIANT \*

* REVISIONS				
LTR	DESCRIPTION	DATE	REVISED	APPROVE



T:1.6 Dimensions of PC board holes  
Tolerance :  $\pm 0.05$ (Printed-top view)



7	HOUSING	1	PA66	BLACK
6	TERMINAL 6#	1	C5191 t=0.20	Ag PLATED
5	TERMINAL 5#	1	C2680 t=0.20	Ag PLATED
4	TERMINAL 4#	1	C5191 t=0.25	Ag PLATED
3	TERMINAL 3#	1	BeCu t=0.20	Ag PLATED
2	TERMINAL 2#	1	BeCu t=0.25	Ag PLATED
1	TERMINAL 1#	1	C5191 t=0.20	Ag PLATED

LTR	PART NAME	QTY	MATERIAL	REMARK
DWN	LILY	DATE	2017.07.12	3RD ANGLE PROJECTION
CHKD	ANDY	DATE	2017.07.12	
APVD	JON	DATE	2017.07.12	UNIT: mm

NAME: MINIATURE JACK  
CAT. NO.: PJD-035-35ZAB

UNLESS OTHERWISE SPECIFIED, TOLERANCE ON DECIMAL:  $\pm 0.3$

JKCR Electronics Co., Ltd.

DWN.NO.: A-035-35 001