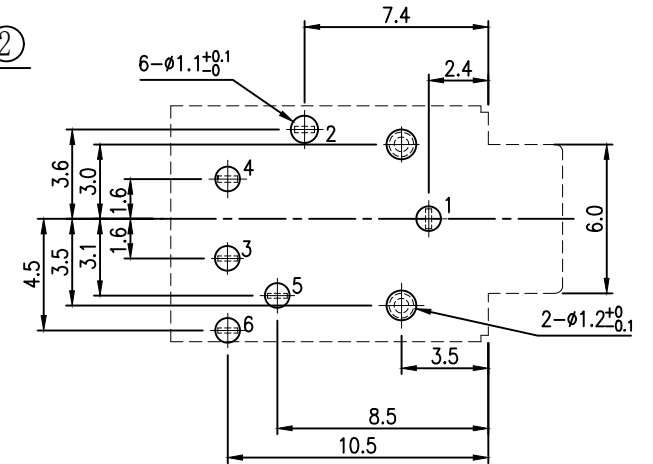
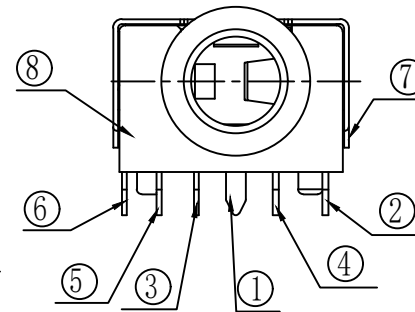
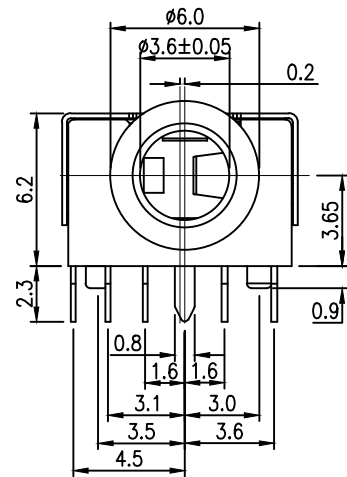
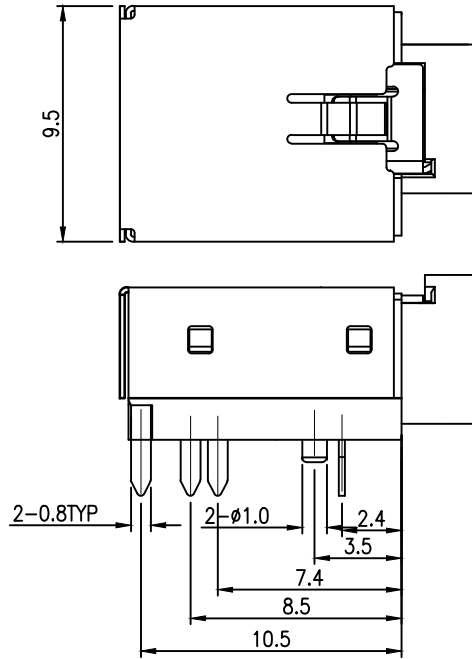


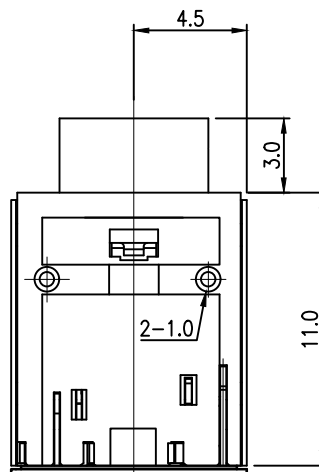
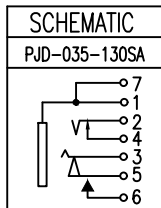
* RoHS COMPLIANT *

* REVISIONS

LTR	DESCRIPTION	DATE	REVISED	APPROVED



T:1.6 Dimensions of PC board holes
Tolerance : ±0.05(Printed-top view)



MODEL NO.	COLOR
PJD-035-130SA01	GREEN
PJD-035-130SA02	PINK
PJD-035-130SAB	BLACK

8	HOUSING	1	PA9T		
7	SHELL 7#	1	C2680	t=0.20	
6	TERMINAL 6#	1	C5191	t=0.20	Matte Sn PLATED
5	TERMINAL 5#	1	C2680	t=0.20	Matte Sn PLATED
4	TERMINAL 4#	1	C5191	t=0.25	Matte Sn PLATED
3	TERMINAL 3#	1	C5191	t=0.20	Matte Sn PLATED
2	TERMINAL 2#	1	C5191	t=0.25	Matte Sn PLATED
1	TERMINAL 1#	1	C5191	t=0.25	Matte Sn PLATED

LTR	PART NAME	QTY	MATERIAL	REMARK
DWN	LILY	DATE	2016.06.01	3RD ANGLE PROJECTION
CHKD	ANDY	DATE	2016.06.01	
APVD	JON	DATE	2016.06.01	
UNIT: mm				
JKCR Electronics Co., Ltd.				DWN.NO.
				E-035-130
				001

UNLESS OTHERWISE SPECIFIED, TOLERANCE ON DECIMAL: ±0.3

NAME
MINIATURE JACK
CAT. NO.
PJD-035-130SA
DWN.NO.
E-035-130 001