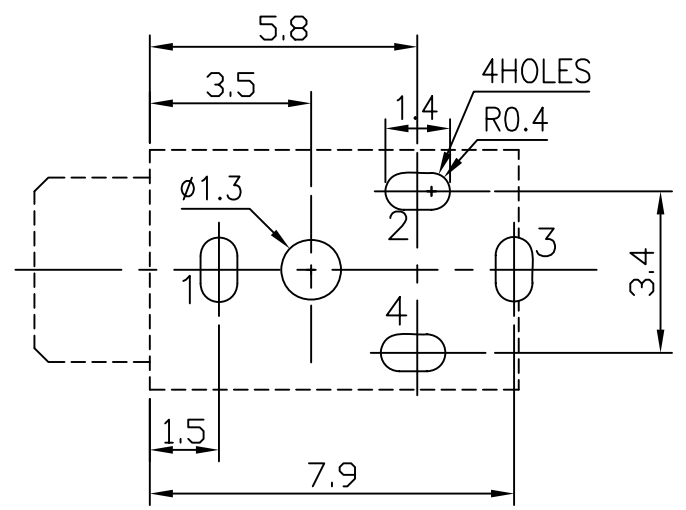
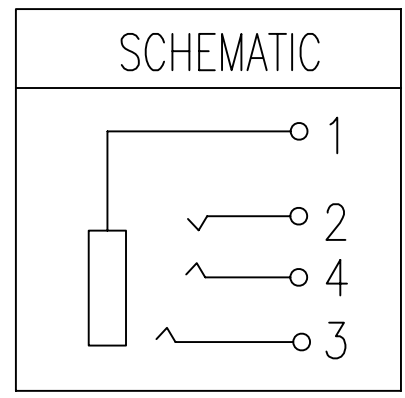
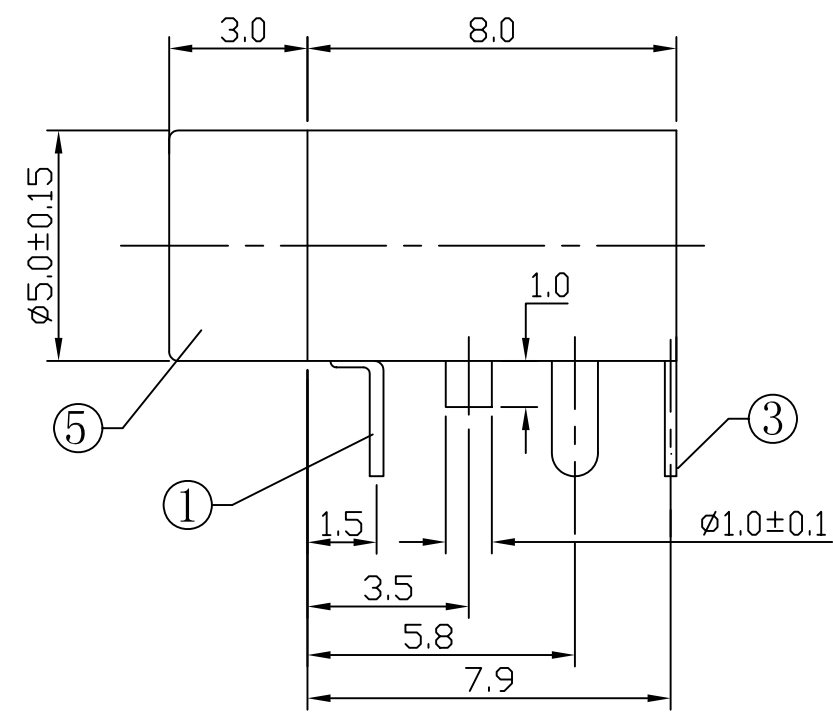
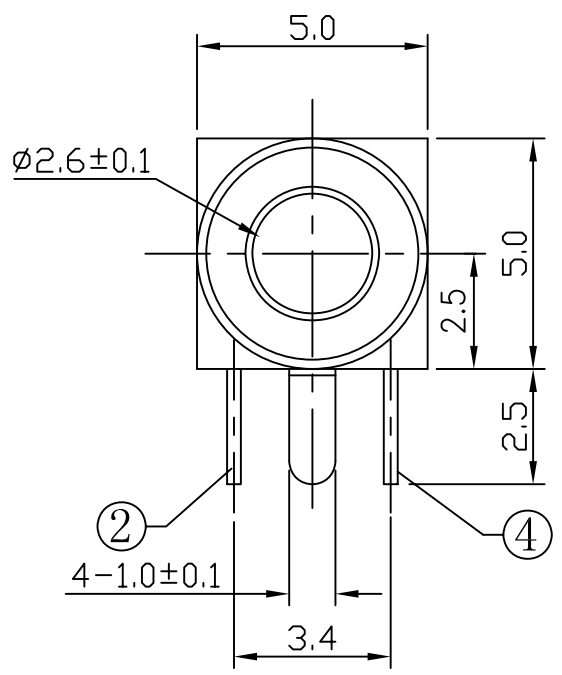


* REVISIONS				
LTR	DESCRIPTION	DATE	REVISED	APPROVED



LEAD FREE

5	HOUSING	1	PA66	BLACK
4	4# CONTACT FOOT	1	C5191 t=0.25	Ag PLATED
3	3# CONTACT FOOT	1	C5191 t=0.25	Ag PLATED
2	2# CONTACT FOOT	1	C5191 t=0.25	Ag PLATED
1	1# CONTACT FOOT	1	C5191 t=0.25	Ag PLATED
LTR	PART NAME	QTY	MATERIAL	REMARK
DWN	LILY	DATE	2014.07.20	3RD ANGLE PROJECTION NAME MINIATURE JACK
CHKD	ANDY	DATE	2014.07.20	
APVD	JON	DATE	2014.07.20	
UNIT: mm				CAT. NO. PJD-025-05ZJ
JKCR Electronics Co., Ltd.				DWN.NO. A-025-05
				001

T:1.6 Dimensions of PC board holes

Tolerance : ±0.05(Printed-top view)

UNLESS OTHERWISE SPECIFIED, TOLERANCE ON DECIMAL:±0.3