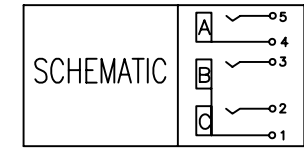
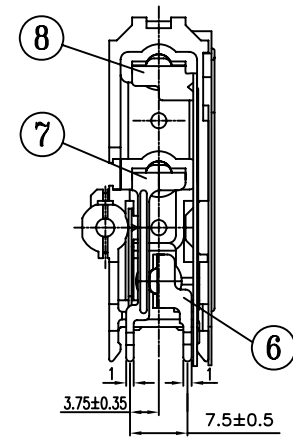
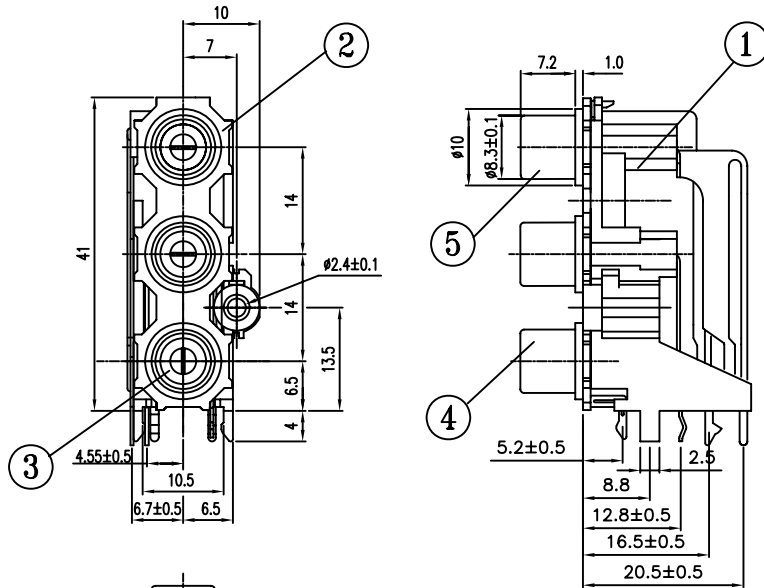
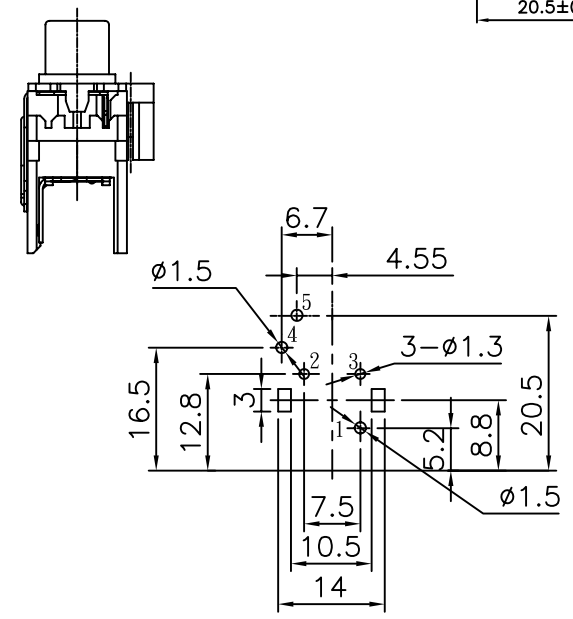


* REVISIONS

| LTR | DESCRIPTION | DATE | REVISED | APPROVED |
|-----|-------------|------|---------|----------|
| | | | | |



| | |
|--------------|---------|
| RCA-243V-07H | |
| WASHER COLOR | A GREEN |
| | B RED |
| | C BLACK |



T:1.6 Dimensions of PC board holes
Tolerance : ±0.05(Printed- top view)

LEAD FREE

| | | | | | |
|---|---------------|---|----------|--------|----------------|
| 8 | TERMINAL | 1 | C2680 | t=0.35 | Cu/Sn PLATED |
| 7 | TERMINAL | 1 | C2680 | t=0.30 | Cu/Sn PLATED |
| 6 | TERMINAL | 1 | C2680 | t=0.30 | Cu/Sn PLATED |
| 5 | OUTER CONTACT | 1 | C2680 | t=0.30 | Cu/Sn PLATED |
| 4 | OUTER CONTACT | 1 | C2680 | t=0.30 | Cu/Sn PLATED |
| 3 | WASHER | 3 | PBT 4815 | | UL-94V0 |
| 2 | COVER | 1 | ABS | | UL-94HB(BLACK) |
| 1 | HOUSING | 1 | PBT 4815 | | UL-94V0(BLACK) |

| LTR | PART NAME | | QTY | MATERIAL | | REMARK |
|----------------------------|-----------|------|------------|----------------------|-----------------------|--------|
| DWN | LILY | DATE | 2014.12.17 | 3RD ANGLE PROJECTION | NAME PIN JACK | |
| CHKD | ANDY | DATE | 2014.12.17 | | CAT. NO. RCA-243V-07H | |
| APVD | JON | DATE | 2014.12.17 | UNIT: mm | DWN.NO. G-243V 001 | |
| JKCR Electronics Co., Ltd. | | | | | | |

UNLESS OTHERWISE SPECIFIED, TOLERANCE ON DECIMAL: ±0.3