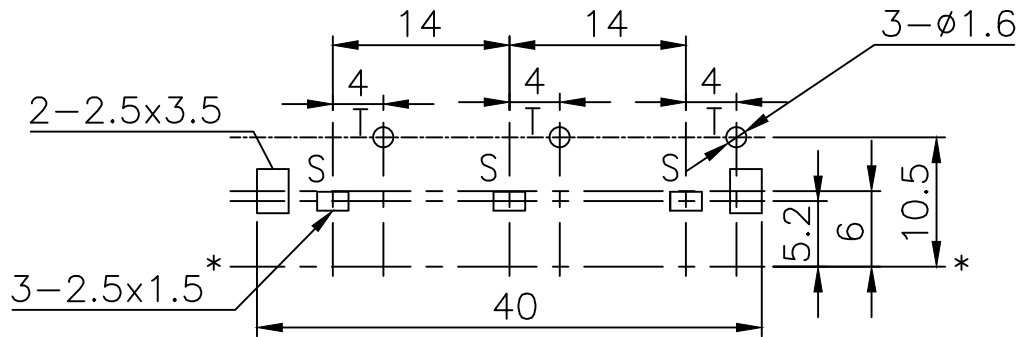
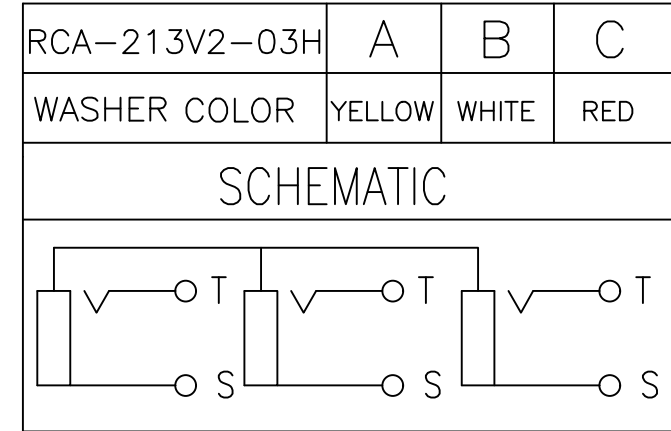
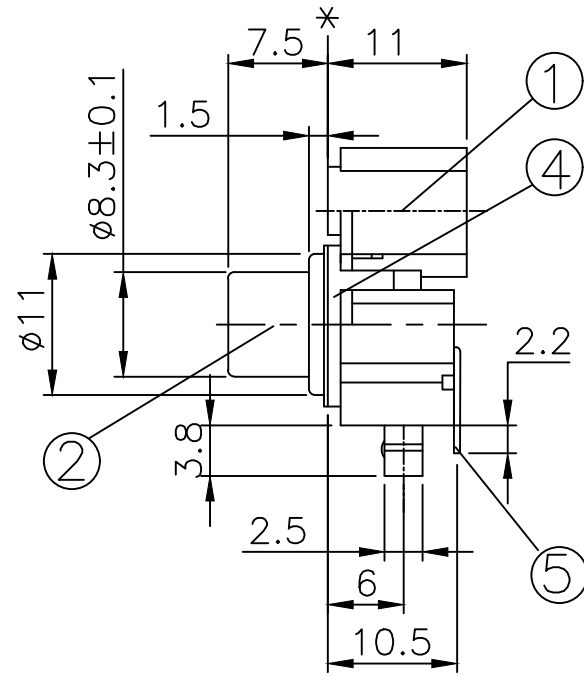
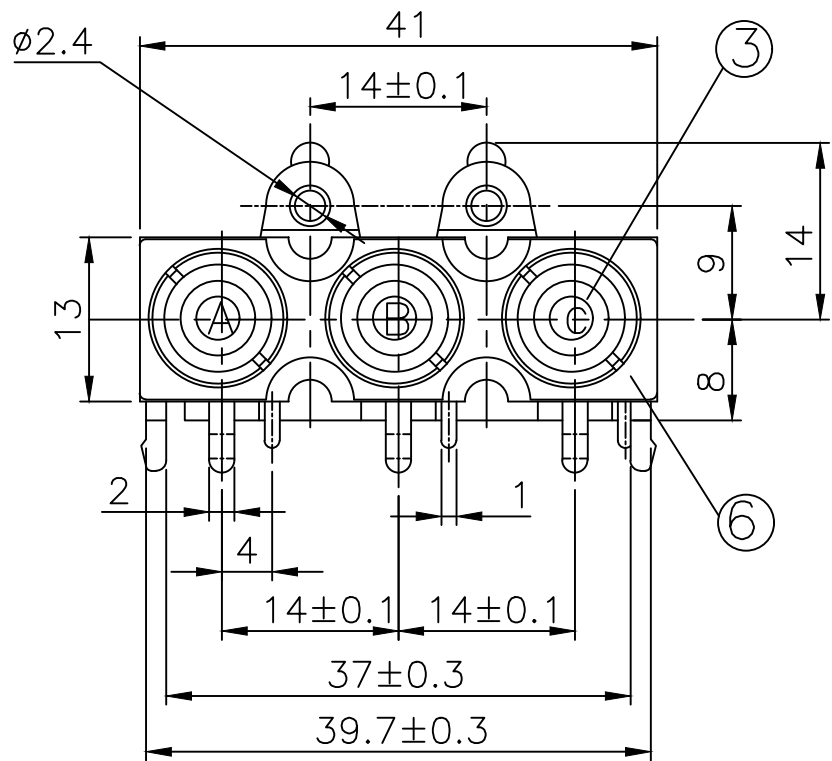


* RoHS COMPLIANT *

* REVISIONS

LTR	DESCRIPTION	DATE	REVISED	APPROVED



T:1.6 Dimensions of PC board holes
Tolerance : ±0.05(Printed-Top view)

UNLESS OTHERWISE SPECIFIED, TOLERANCE ON DECIMAL: ±0.3

6	SEALED PLATE	1	C2680	t=0.25	Cu/Sn PLATED
5	TERMINAL	3	C2680	t=0.5	Cu/Sn PLATED
4	COVER	1	ABS		UL-94HB
3	WASHER	3	PBT 4815		UL-94V0
2	OUTER CONTACT	3	C2680	t=0.4	Cu/Sn PLATED
1	HOUSING	1	PBT 4815		UL-94V0
LTR	PART NAME	QTY	MATERIAL		REMARK
DWN	JON	DATE	2016.04.29	3RD ANGLE PROJECTION	NAME PIN JACK
CHKD	JON	DATE	2016.04.29		CAT. NO. RCA-213V2-03H
APVD	ELVIS	DATE	2016.04.29		UNIT: mm
JKCR Electronics Co., Ltd.					DWN.NO. M-213V2 001