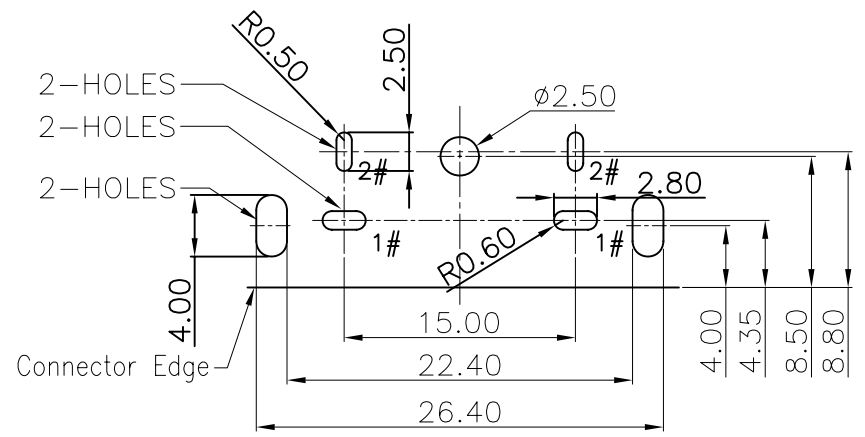
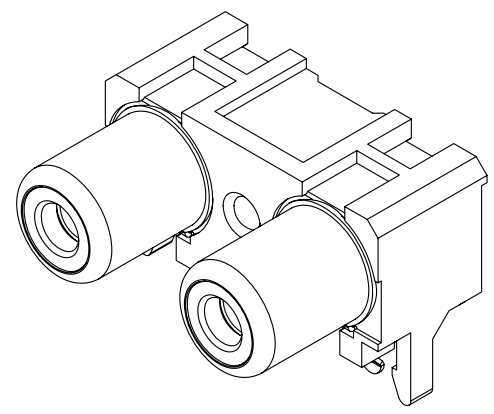
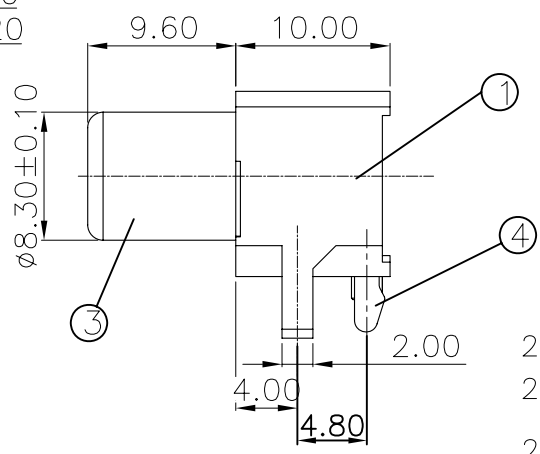
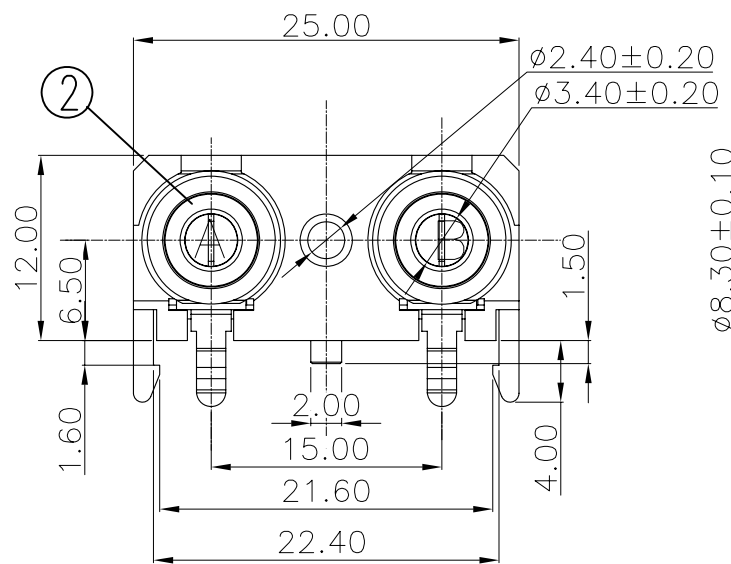
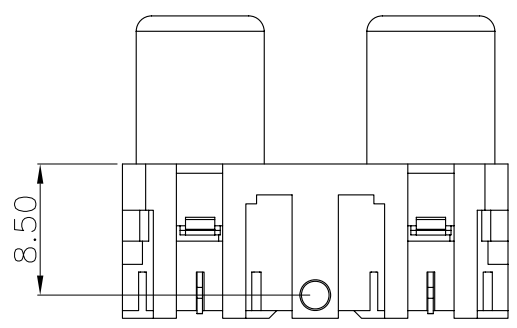


* REVISIONS				
LTR	DESCRIPTION	DATE	REVISED	APPROVED



T:1.6 Dimensions of PC board holes
Tolerance : ±0.05(Printed-top view)



SCHEMATIC		
	A	B
COLOR	WHITE	RED

LEAD FREE

4	CENTER CONTACT	2	C2680 t=0.4	Cu/Sn PLATED
3	OUTER CONTACT	2	C2680 t=0.4	Cu/Sn PLATED
2	WASHER	2	PBT 4815	UL-94V0
1	HOUSING	1	PBT 4815	UL-94V0(BLACK)
LTR	PART NAME	QTY	MATERIAL	REMARK
DWN	LILY	DATE	2013.04.30	3RD ANGLE PROJECTION
CHKD	ANDY	DATE	2013.04.30	
APVD	JON	DATE	2013.04.30	UNIT: mm
JKCR Electronics Co., Ltd.				NAME PIN JACK
				CAT. NO. RCA-04066B-06H
				DWN.NO. C-04066
				001

UNLESS OTHERWISE SPECIFIED, TOLERANCE ON DECIMAL: ±0.3