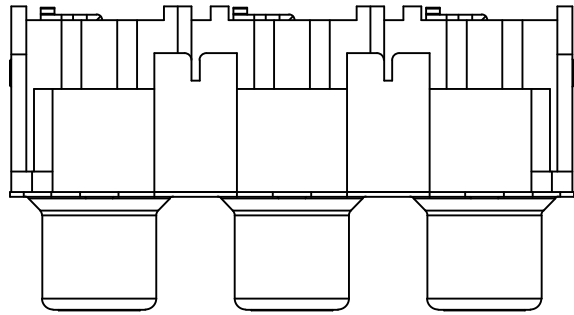
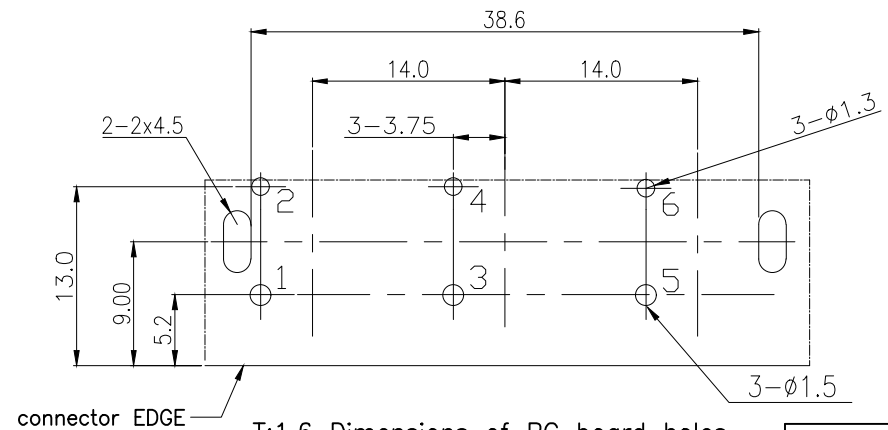
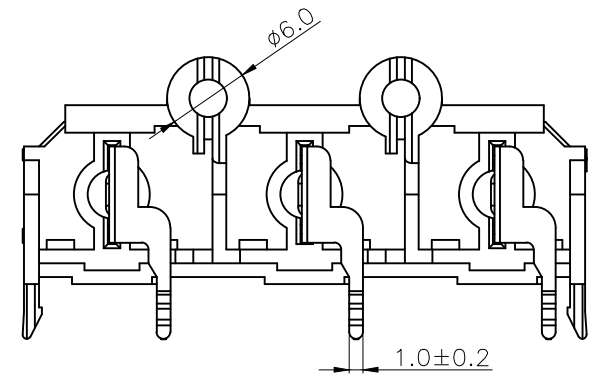
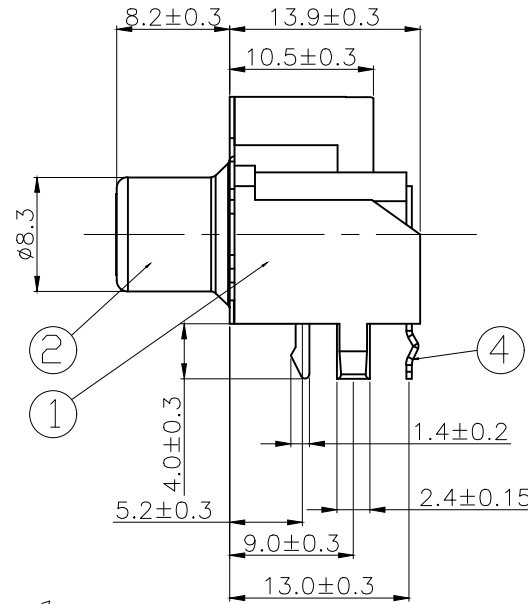
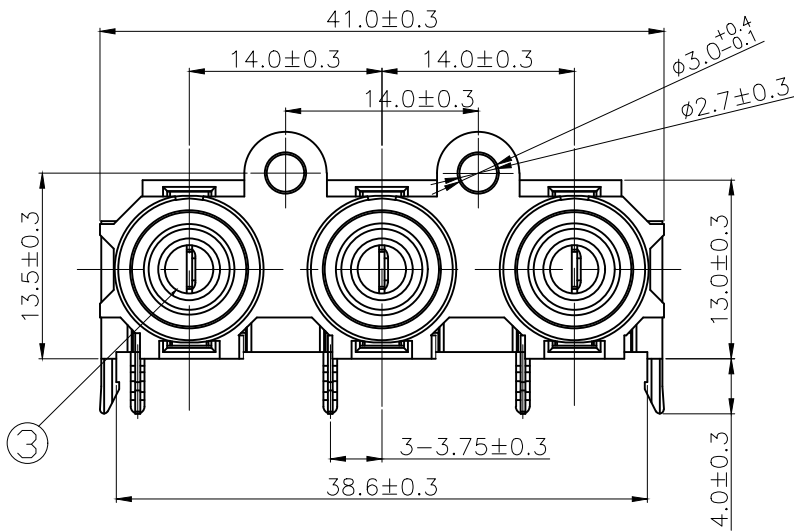


* RoHS COMPLIANT *

* REVISIONS				
LTR	DESCRIPTION	DATE	REVISED	APPROVED

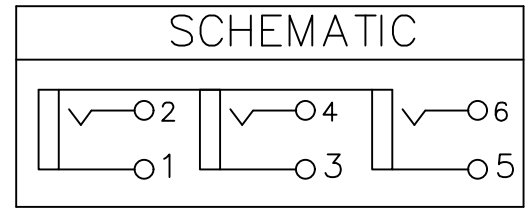


PART NO.	A	B	C
RCA-04025V-03H	YELLOW	WHITE	RED



T:1.6 Dimensions of PC board holes
Tolerance : ±0.1(Printed-Top view)

UNLESS OTHERWISE SPECIFIED TOLERANCES	
DECIMALS:	ANGLES:
X ± 0.3	X ± 1°
X.X ± 0.2	X.X ± 0.5°
X.XX ± 0.1	
X.XXX ± 0.05	



4	TERMINAL	3	C2680 t=0.4	All over CuSn 40u" Min
3	WASHER	3	PBT+15%GF(4815)	UL-94V0
2	OUTER CONTACT	1	C2680 t=0.4	All over CuSn 40u" Min
1	HOUSING	1	PBT+15%GF(4815)	UL-94V0(BLACK)
LTR	PART NAME	QTY	MATERIAL	REMARK

DWN	LILY	DATE	2016.04.29	3RD ANGLE PROJECTION	NAME PIN JACK
CHKD	ANDY	DATE	2016.04.29		
APVD	JON	DATE	2016.04.29		
JKCR Electronics Co., Ltd.					CAT. NO. RCA-04025V-03H
					DWN.NO. C-04025V

001