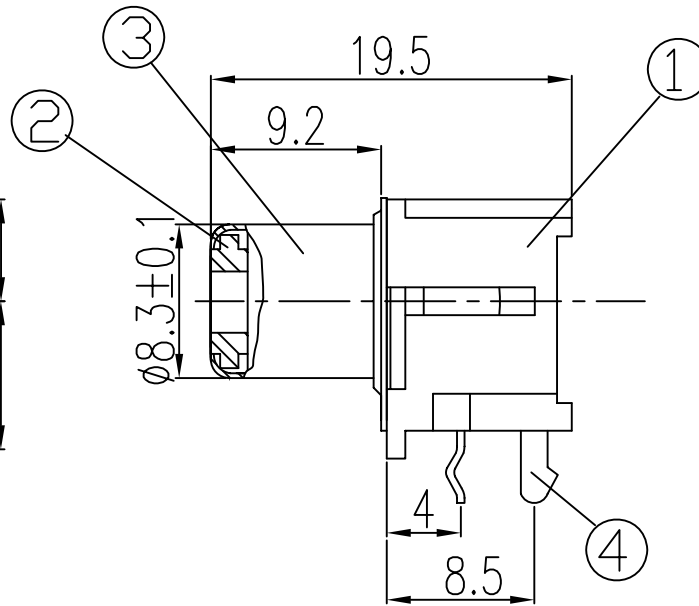
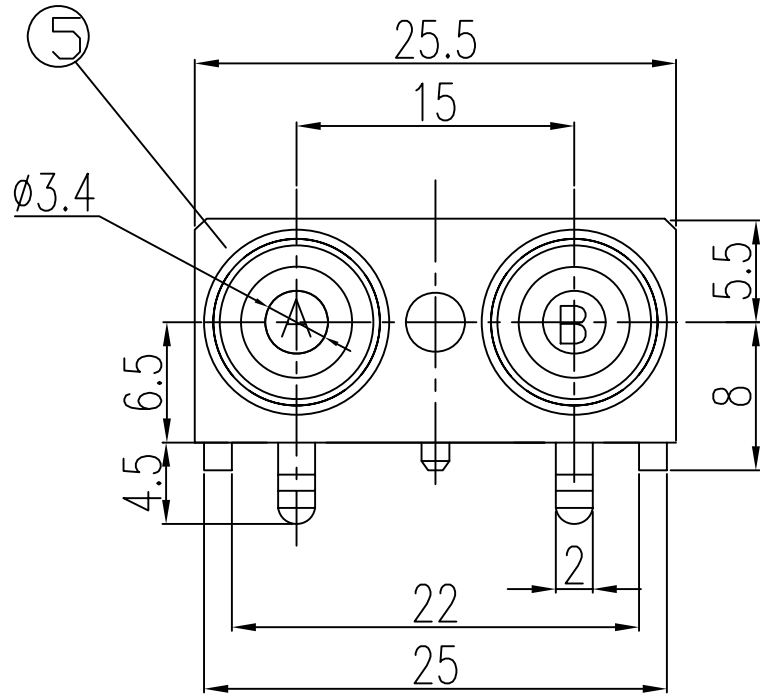
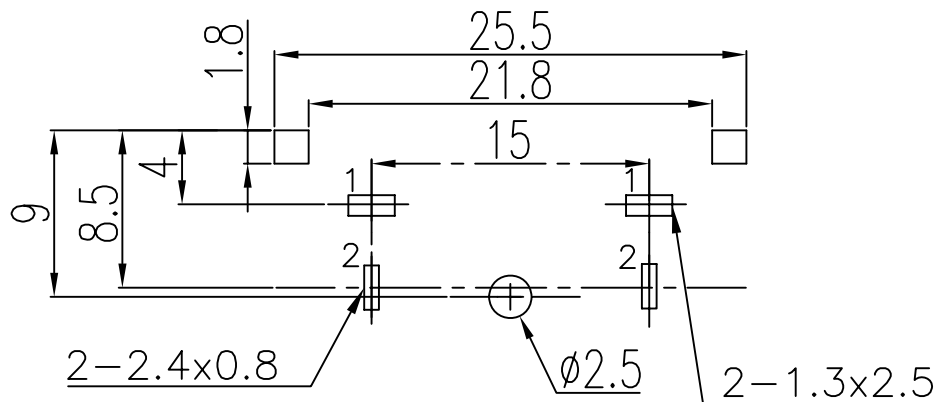


\* REVISIONS

LTR	DESCRIPTION	DATE	REVISED	APPROVED



COLOR		
RCA-032-25V2B-04	RED	WHITE
TYPE	A	B
SCHEMATIC		



T:1.6 Dimensions of PC board holes

Tolerance : ±0.05(Printed-bottom view)

UNLESS OTHERWISE SPECIFIED, TOLERANCE ON DECIMAL: ±0.3

LEAD FREE

5	SEALED PLATE	1	C2680	t=0.2	Cu/Sn PLATED
4	TERMINAL	2	C2680	t=0.4	Cu/Sn PLATED
3	OUTER CONTACT	2	C2680	t=0.4	Cu/Sn PLATED
2	WASHER	2	PBT 4815		UL-94V0
1	HOUSING	1	PBT 4815		UL-94V0(BLACK)

LTR	PART NAME	QTY	MATERIAL	REMARK
DWN	LILY	DATE	2014.06.17	3RD ANGLE PROJECTION
CHKD	ANDY	DATE	2014.06.17	
APVD	JON	DATE	2014.06.17	

NAME  
PIN JACK

CAT. NO.  
RCA-032-25V2B-04

DWN.NO.  
G-032-25V2 001

JKCR Electronics Co., Ltd.