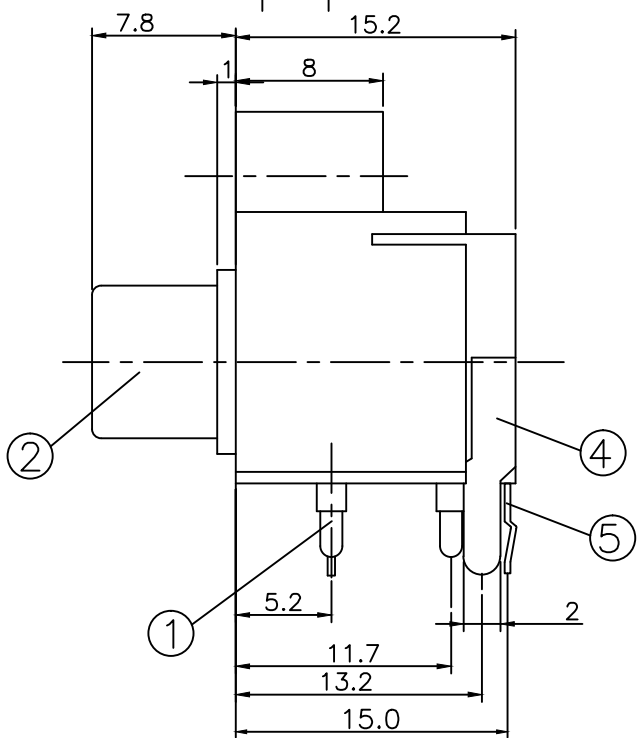
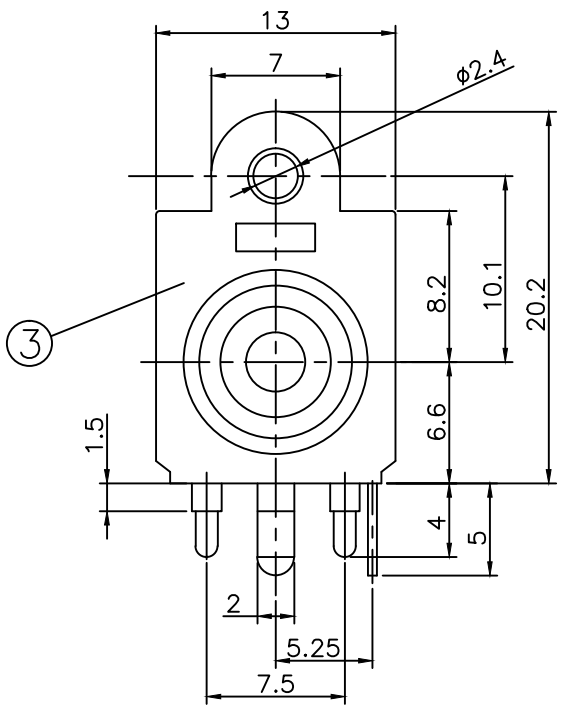
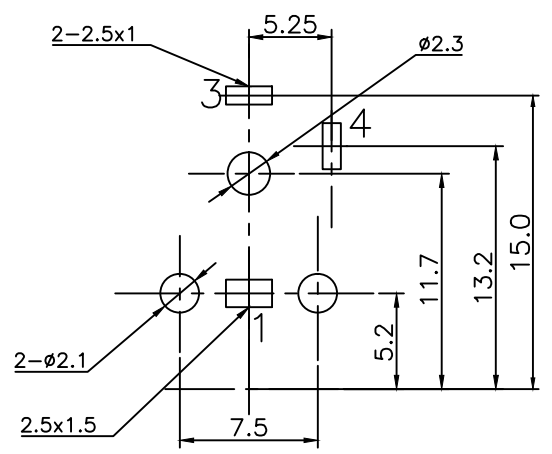
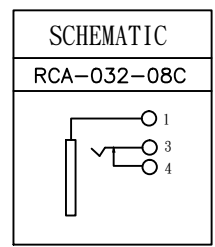


REVISIONS				
LTR	DESCRIPTION	DATE	REVISED	APPROVED



MODEL	NO.	COLOR OF HOUSING
RCA-032-08CB		BLACK



T:1.6 Dimensions of PC board holes
Tolerance : ±0.05(Printed-top view)

UNLESS OTHERWISE SPECIFIED, TOLERANCE ON DECIMAL: ±0.3

LEAD FREE

5	SPRING	1	C5191	t=0.3	Sn PLATED
4	TERMINAL	1	C2680	t=0.4	Sn PLATED
3	COVER	1	PBT 4815		UL-94V0(BLACK)
2	OUTER CONTACT	1	C2680	t=0.4	Au PLATED
1	HOUSING	1	PBT 4815		UL-94V0
LTR	PART NAME	QTY	MATERIAL		REMARK
DWN	LILY	DATE	2013.05.09	3RD ANGLE PROJECTION	NAME PIN JACK
CHKD	ANDY	DATE	2013.05.09		CAT. NO. RCA-032-08CBG
APVD	JON	DATE	2013.05.09	UNIT: mm	DWN.NO. CM-032-08 001
Jing Cheng Electronics Co., Ltd.					