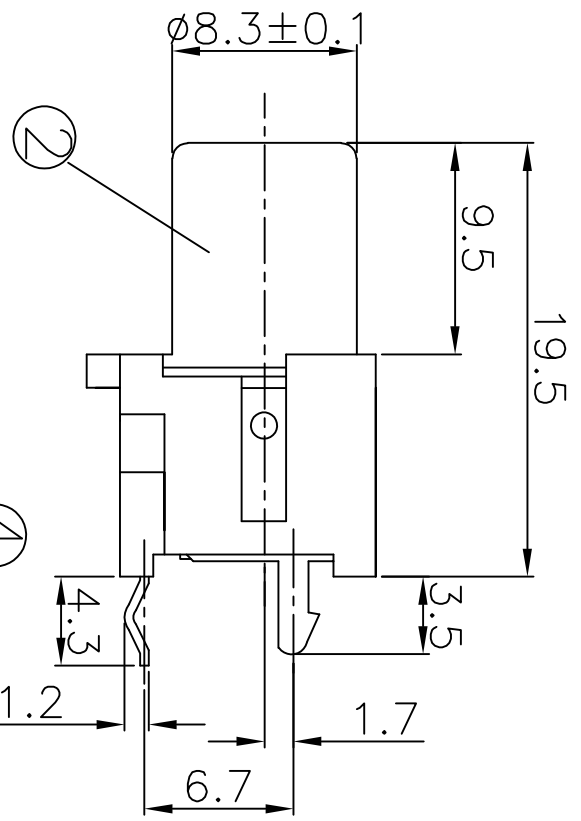
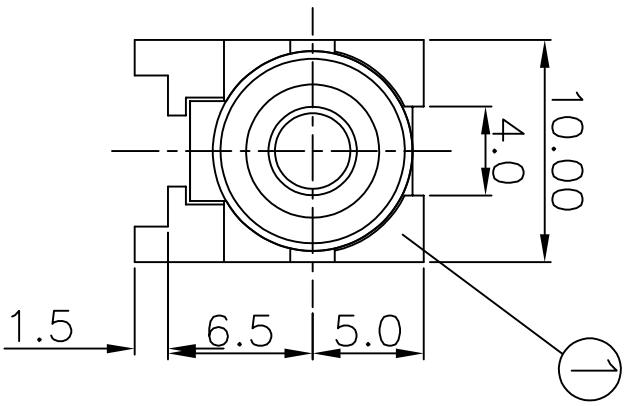
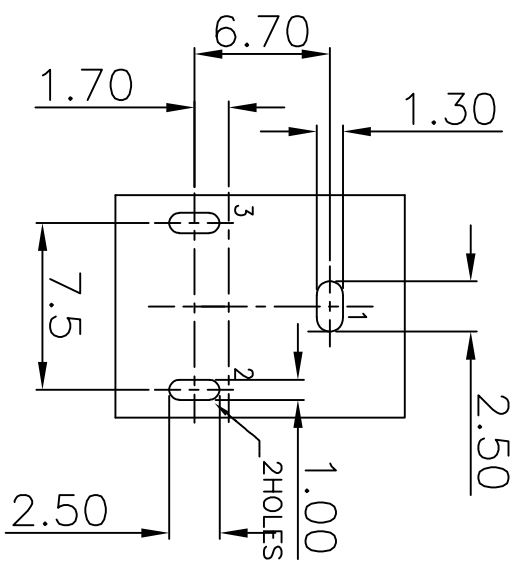
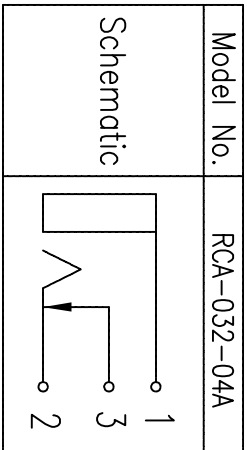
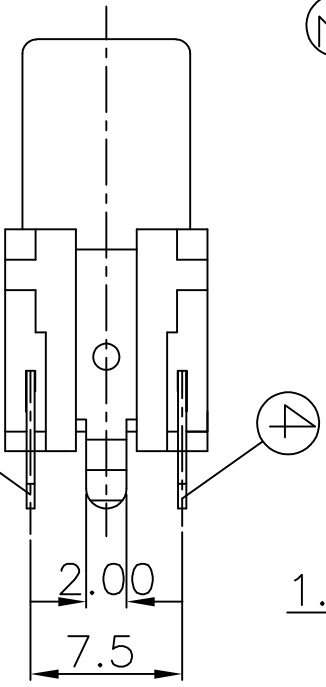


* ROHS COMPLIANT *

REVISIONS				
LTR	DESCRIPTION	DATE	REVISED	APPROVED



MODEL NO.	RCA-032-04AY	COLOR OF HOUSING	YELLOW
-----------	--------------	------------------	--------



T:1.6 Dimensions of PC board holes
Tolerance : ±0.05(Printed-top view)

4	TIP SPRING	1	C2680 t=0.3	Sn PLATED
3	RING SPRING	1	C5191 t=0.3	Sn PLATED
2	OUTER CONTACT	1	C2680 t=0.4	Cu/Sn PLATED
1	HOUSING	1	PBT 4815	UL-94V0
LTR	PART NAME	QTY	MATERIAL	REMARK
DWN	LILY	DATE	2013.04.02	3RD ANGLE PROJECTION
CHKD	ANDY	DATE	2013.04.02	CAT. NO.
APVD	JON	DATE	2013.04.02	UNIT: mm
JKCR Electronics Co., Ltd.				DWN.NO.
M-032-04				001

UNLESS OTHERWISE SPECIFIED, TOLERANCE ON DECIMAL:±0.3

JKCR Electronics Co., Ltd.

M-032-04

001