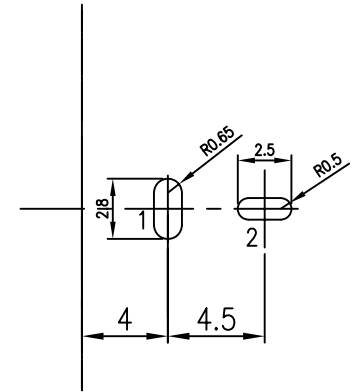
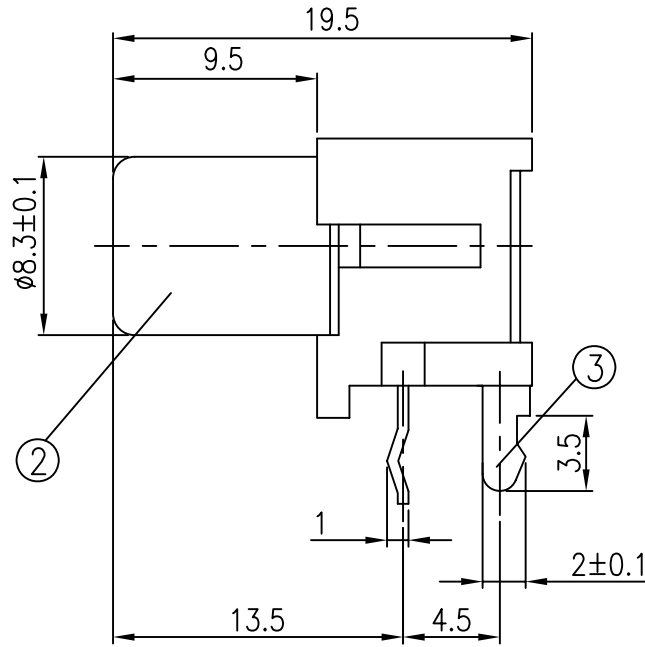
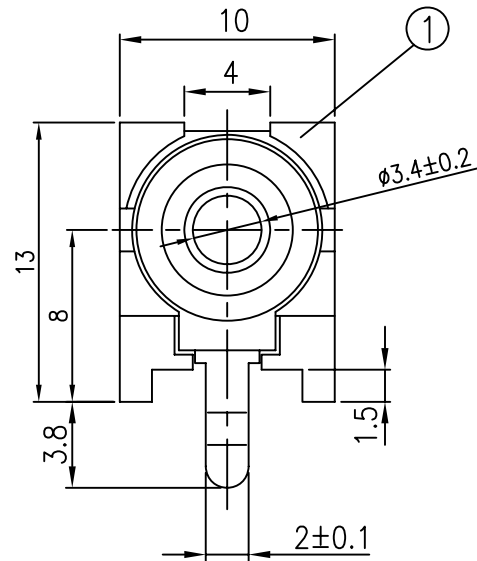


* REVISIONS				
LTR	DESCRIPTION	DATE	REVISED	APPROVED



T:1.6 Dimensions of PC board holes
Tolerance : ±0.05(Printed-top view)

MODEL NO.	COLOR OF HOUSING
RCA-032-03BY	YELLOW

Model No.	RCA-032-03B
Schematic	

UNLESS OTHERWISE SPECIFIED, TOLERANCE ON DECIMAL: ±0.3

LEAD FREE

3	TERMINAL	1	C2680 t=0.4	Cu/Sn PLATED
2	OUTER CONTACT	1	C2680 t=0.4	Cu/Sn PLATED
1	HOUSING	1	PBT 4815	UL-94V0
LTR	PART NAME	QTY	MATERIAL	REMARK
DWN	LILY	DATE	2013.04.17	3RD ANGLE PROJECTION NAME PIN JACK CAT. NO. RCA-032-03BY DWN.NO. G-032-03
CHKD	ANDY	DATE	2013.04.17	
APVD	JON	DATE	2013.04.17	
JKCR Electronics Co., Ltd.				001