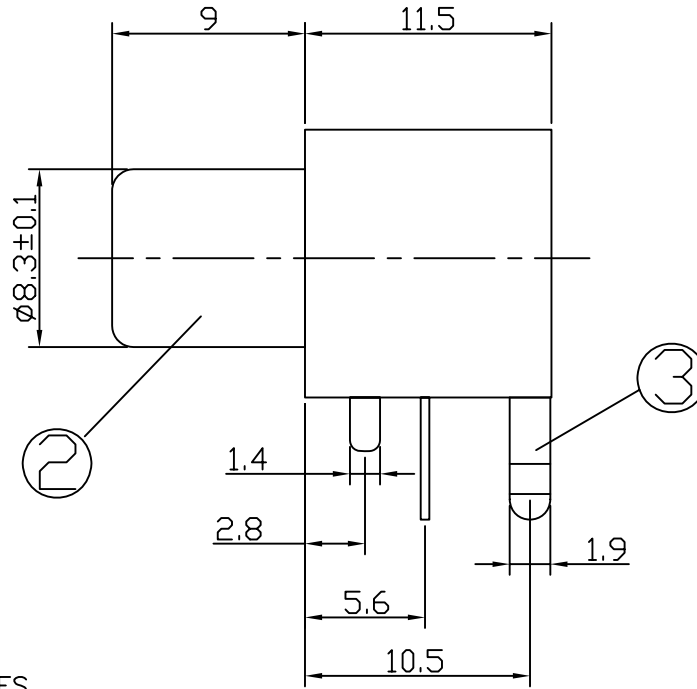
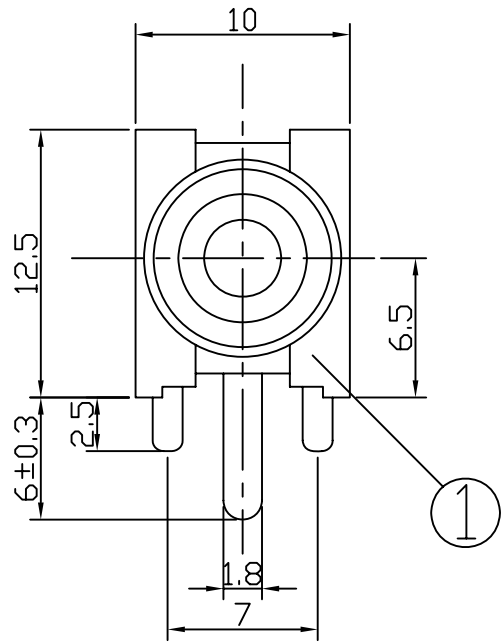
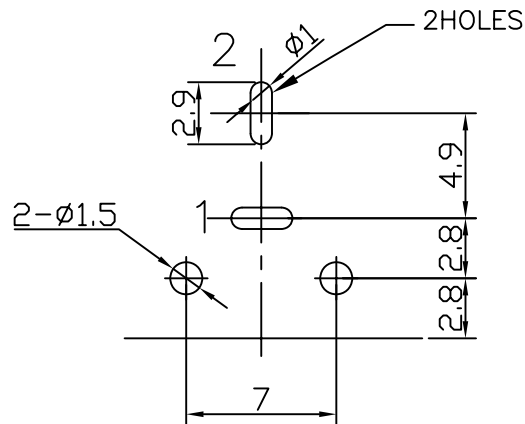
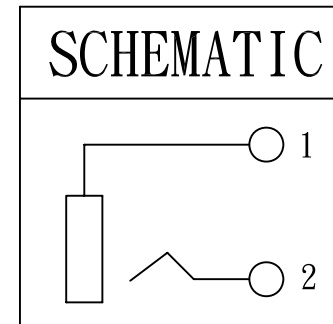


* REVISIONS				
LTR	DESCRIPTION	DATE	REVISED	APPROVED



MODEL NO.	COLOR OF HOUSING
RCA-032-01BRH	RED



T:1.6 Dimensions of PC board holes  
Tolerance : ±0.05(Printed-top view)

**LEAD FREE**

3	TERMINAL	1	C2680	t=0.6	Sn	PLATED
2	OUTER CONTACT	1	C5191	t=0.4	Sn	PLATED
1	HOUSING	1	PBT			
LTR	PART NAME	QTY	MATERIAL		REMARK	
DWN	LILY	DATE	2013.12.12	3RD ANGLE PROJECTION	NAME PIN JACK	
CHKD	ANDY	DATE	2013.12.12		CAT. NO. RCA-032-01BRH	
APVD	JON	DATE	2013.12.12	UNIT: mm	DWN.NO. G-032-01	
JKCR Electronics Co., Ltd.						001

UNLESS OTHERWISE SPECIFIED, TOLERANCE ON DECIMAL: ±0.3