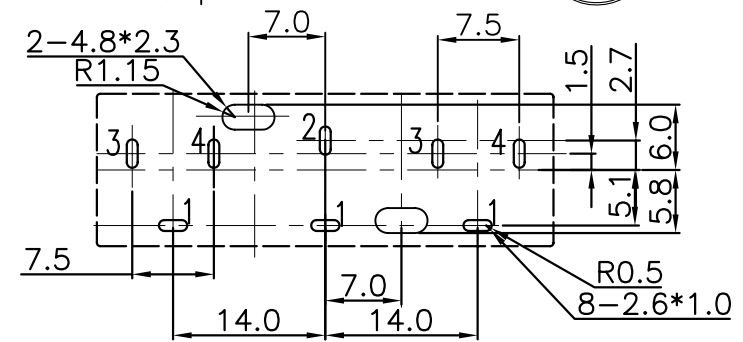
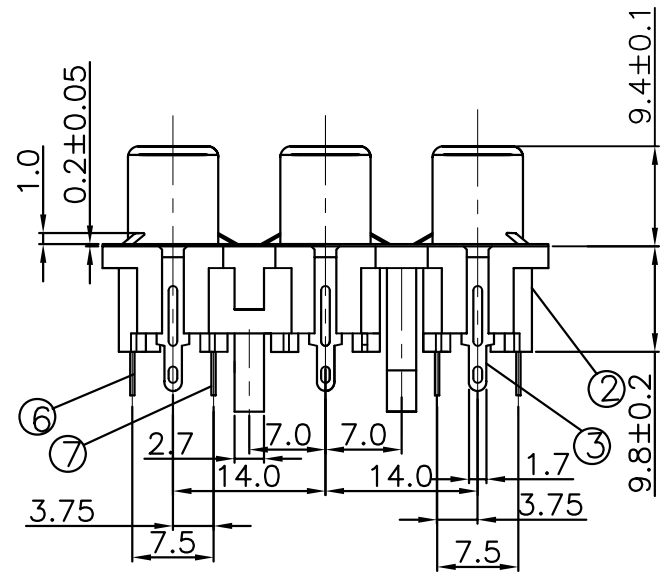
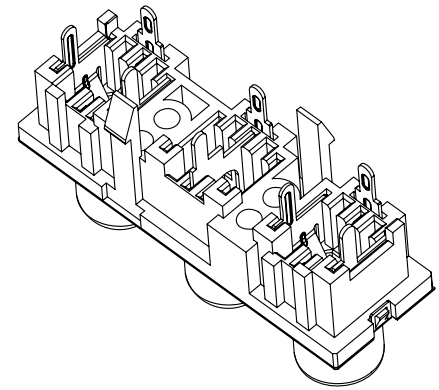
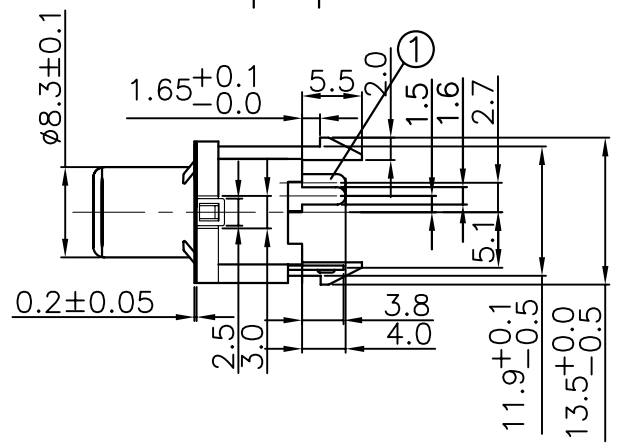
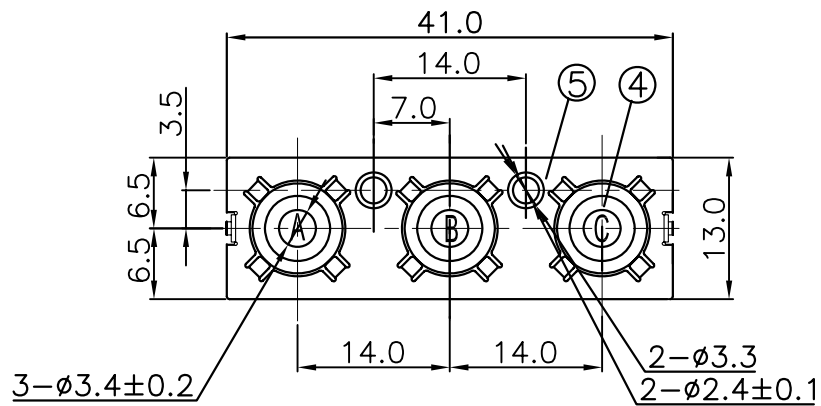
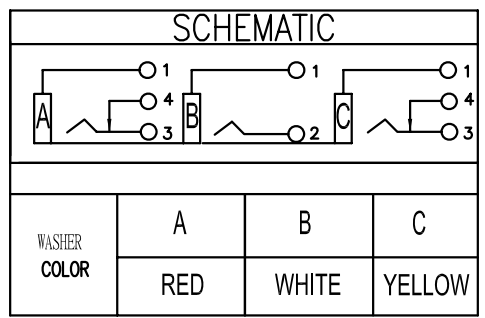


* REVISIONS				
LTR	DESCRIPTION	DATE	REVISED	APPROVED



T:1.6 Dimensions of PC board holes
Tolerance : ±0.05(Printed-Top view)

LEAD FREE



7	TIP SPRING	2	C2680 t=0.4	MB:Ni MATTE Sn PLATED
6	RING SPRING	2	C5191 t=0.3	MB:Ni MATTE Sn PLATED
5	SEALED PLATE	1	SPCC t=0.2	
4	WASHER	3	PBT 4815	UL-94V0
3	OUTER CONTACT	3	C2680 t=0.4	MB:Ni Cu/Sn PLATED
2	HOUSING	1	PBT 4815	UL-94V0(BLACK)
1	TERMINAL 2#	1	C2680 t=0.4	MB:Ni MATTE Sn PLATED
LTR	PART NAME	QTY	MATERIAL	REMARK
DWN	LILY	DATE	2013.05.02	3RD ANGLE PROJECTION NAME PIN JACK
CHKD	ANDY	DATE	2013.05.02	
APVD	JON	DATE	2013.05.02	
UNIT: mm				CAT.NO. RCA-01013H3H-03H
JKCR Electronics Co., Ltd.				DWN.NO. C-01013
				001

UNLESS OTHERWISE SPECIFIED, TOLERANCE ON DECIMAL: ±0.3