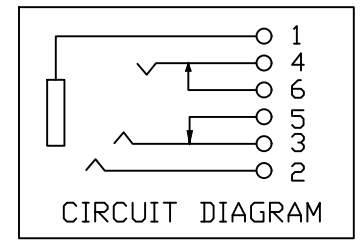
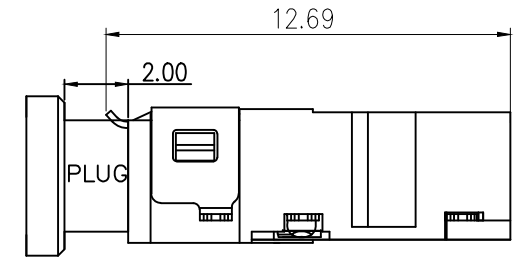
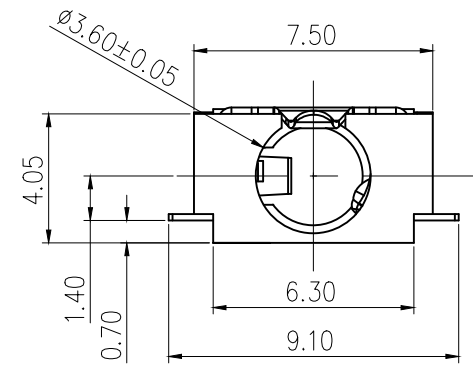
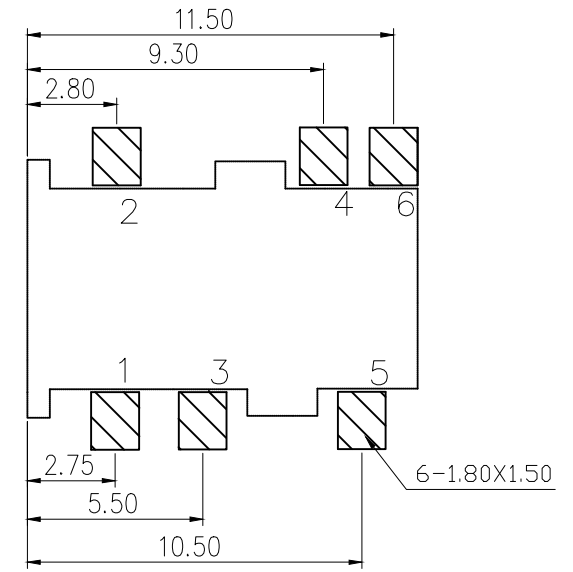
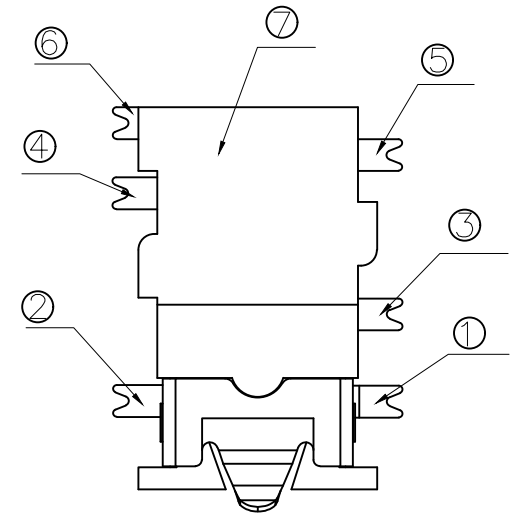
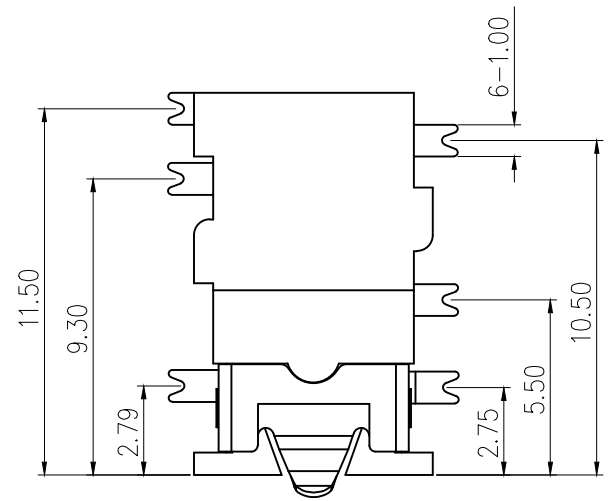


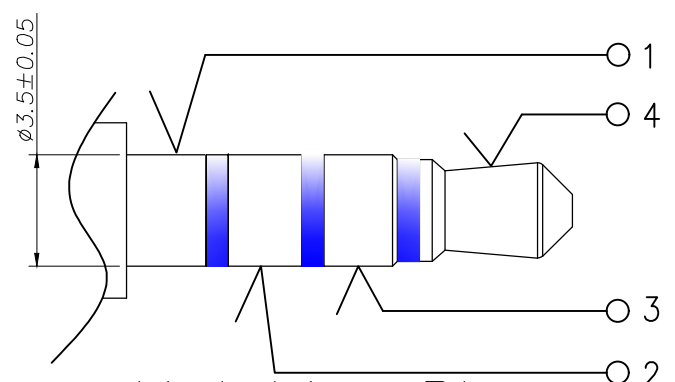
LTR	* REVISIONS			
	DESCRIPTION	DATE	REVISED	APPROVED



T:1.6 Dimensions of PC board holes
Tolerance : ± 0.05 (Printed-top view)

LEAD FREE

7	HOUSING	1	PA9T		UL-94V0(BLACK)
6	6# TERMINAL	1	C5191	t=0.20	Au PLATED
5	5# TERMINAL	1	C5191	t=0.20	Au PLATED
4	4# TERMINAL	1	C5191	t=0.20	Au PLATED
3	3# TERMINAL	1	C5191	t=0.20	Au PLATED
2	2# TERMINAL	1	C5191	t=0.20	Au PLATED
1	1# TERMINAL	1	C5191	t=0.20	Au PLATED



Matching Plug

UNLESS OTHERWISE SPECIFIED, TOLERANCE ON DECIMAL: ± 0.2

LTR	PART NAME	QTY	MATERIAL	REMARK	
DWN	LILY	DATE	2016.06.21	3RD ANGLE PROJECTION	
CHKD	ANDY	DATE	2016.06.21		
APVD	JON	DATE	2016.06.21	UNIT: mm	
JKCR Electronics Co., Ltd.				NAME	MINIATURE JACK
				CAT. NO.	PJS-035-67AG
				DWN.NO.	A-035-67 001