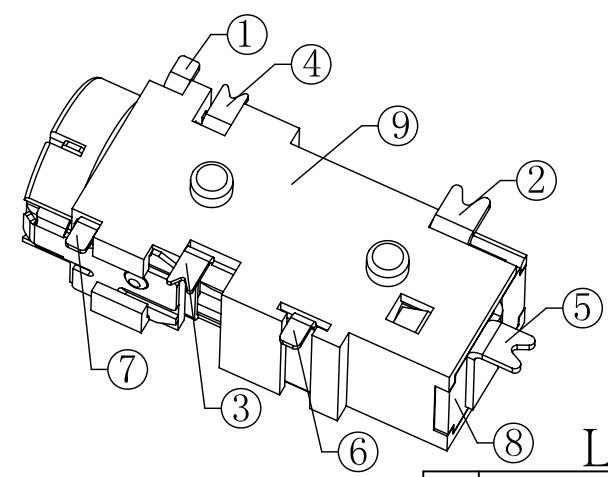
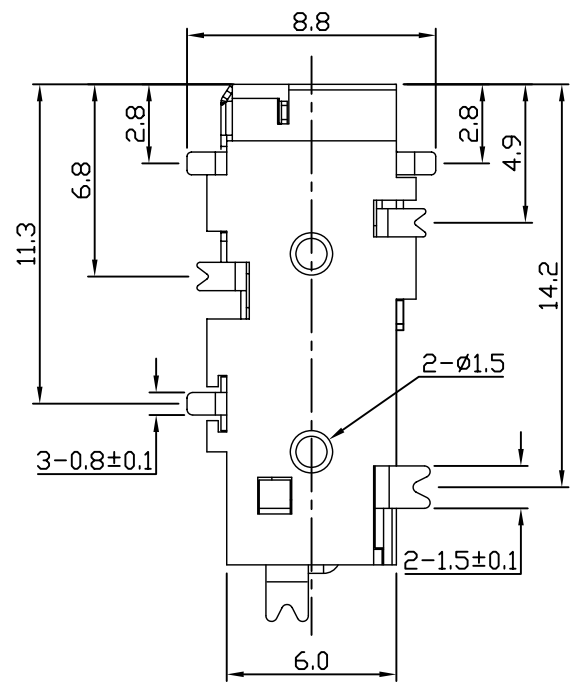
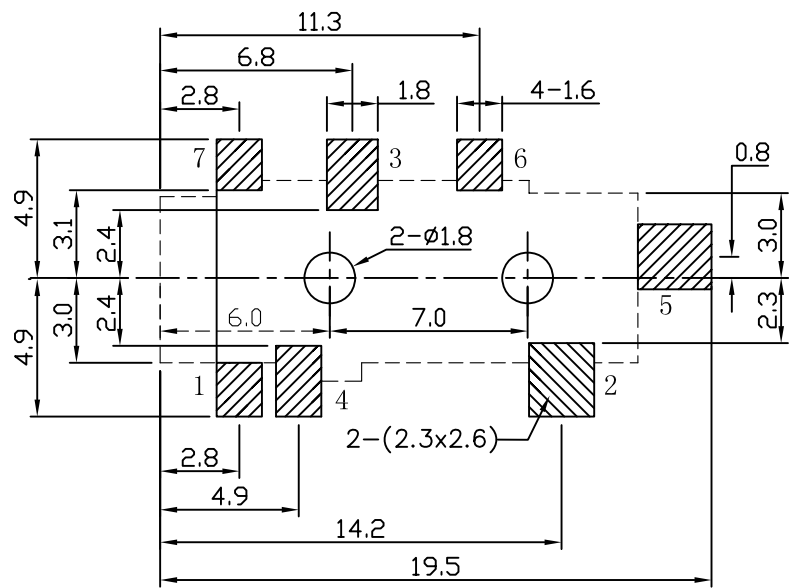
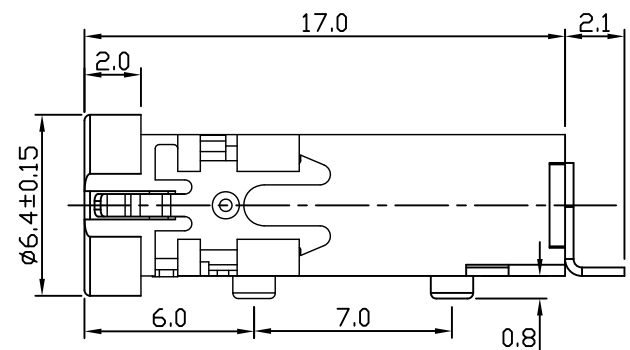
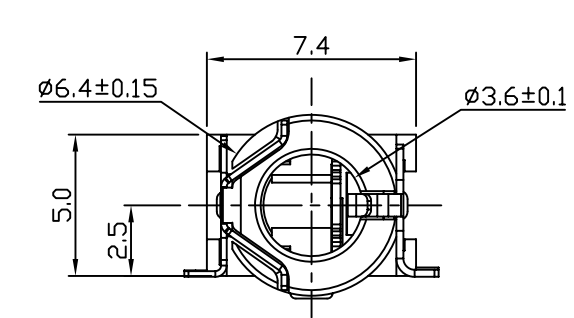
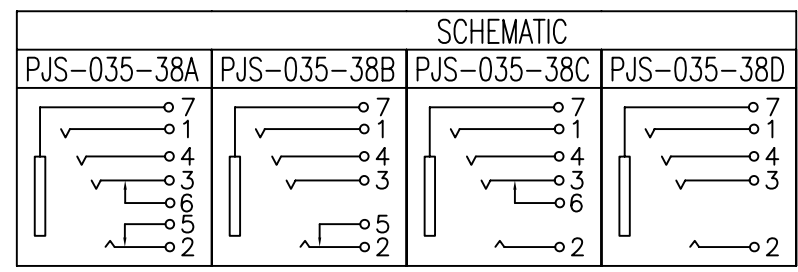


* REVISIONS				
LTR	DESCRIPTION	DATE	REVISED	APPROVED



T:1.6 Dimensions of PC board holes
Tolerance : ±0.05(Printed-top view)

LEAD FREE



UNLESS OTHERWISE SPECIFIED, TOLERANCE ON DECIMAL: ±0.3

9	HOUSING	1	PA9T	UL-94V0(BLACK)
8	COVER	1	PA46	UL-94V0(BLACK)
7	EARTH TERMINAL	1	C5191 t=0.20	Ag PLATED
6	SHUNT TERMINAL	1	C2680 t=0.20	Ag PLATED
5	SHUNT TERMINAL	1	C2680 t=0.30	Ag PLATED
4	RING SPRING	1	SUS301 t=0.20	Ag PLATED
3	RING SPRING	1	SUS301 t=0.20	Ag PLATED
2	TIP SPRING	1	C5191 t=0.30	Ag PLATED
1	EARTH SPRING	1	C5191 t=0.25	Ag PLATED
LTR	PART NAME	QTY	MATERIAL	REMARK
DWN	LILY	DATE	2013.06.22	3RD ANGLE PROJECTION NAME MINIATURE JACK CAT. NO. PJS-035-38 DWN.NO. F-035-38
CHKD	ANDY	DATE	2013.06.22	
APVD	JON	DATE	2013.06.22	
JKCR Electronics Co., Ltd.				001