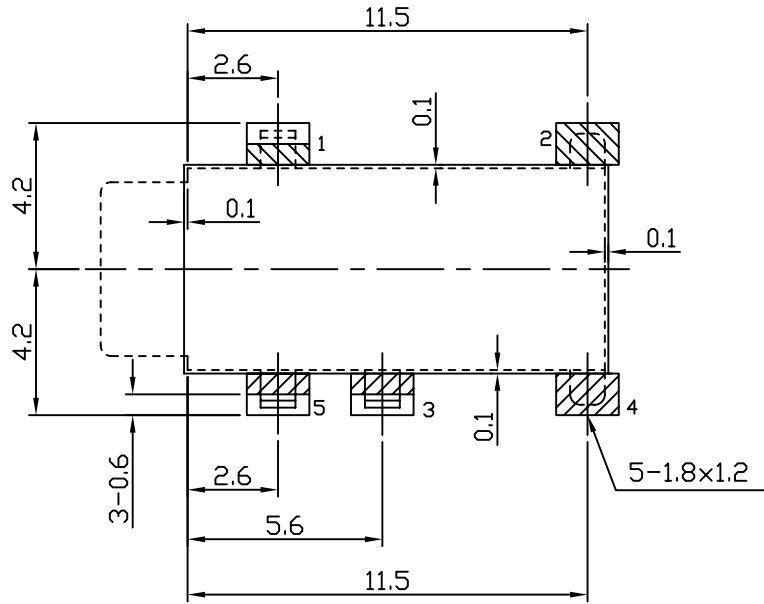
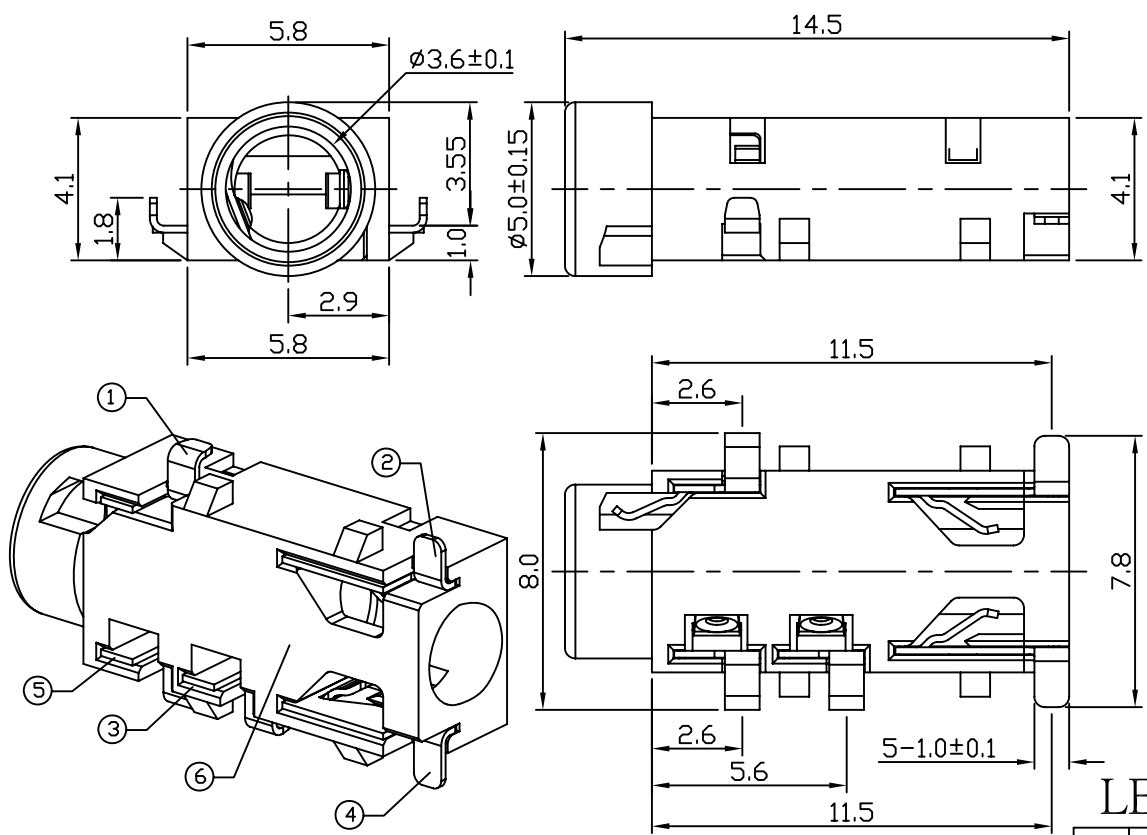
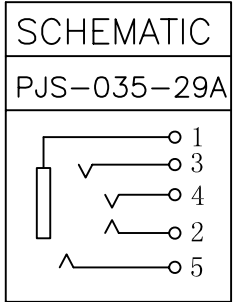
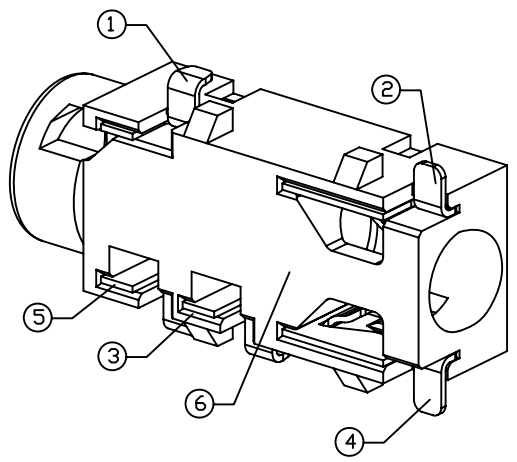


* REVISIONS				
LTR	DESCRIPTION	DATE	REVISED	APPROVED



T:1.6 Dimensions of PC board holes  
Tolerance : ±0.05(Printed-top view)



**LEAD FREE**

6	HOUSING	1	PA9T	UL-94V0(BLACK)
5	5# TERMINAL	1	C5191 t=0.20	Ag PLATED
4	4# TERMINAL	1	C5191 t=0.20	Ag PLATED
3	3# TERMINAL	1	C5191 t=0.20	Ag PLATED
2	2# TERMINAL	1	C5191 t=0.20	Ag PLATED
1	1# TERMINAL	1	C5191 t=0.20	Ag PLATED

LTR	PART NAME	QTY	MATERIAL	REMARK
DWN	LILY	DATE	2013.05.19	3RD ANGLE PROJECTION NAME MINIATURE JACK CAT. NO. PJS-035-29A DWN.NO. A-035-29
CHKD	ANDY	DATE	2013.05.19	
APVD	JON	DATE	2013.05.19	
JKCR Electronics Co., Ltd.				001

UNLESS OTHERWISE SPECIFIED, TOLERANCE ON DECIMAL: ±0.2