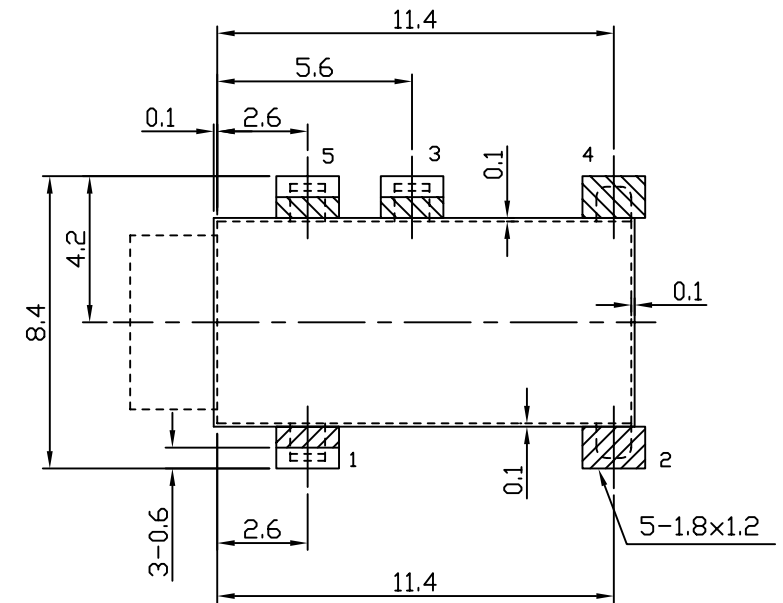
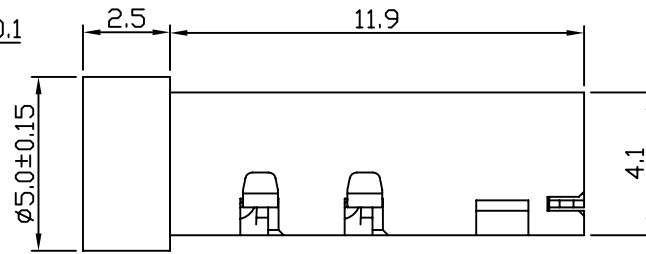
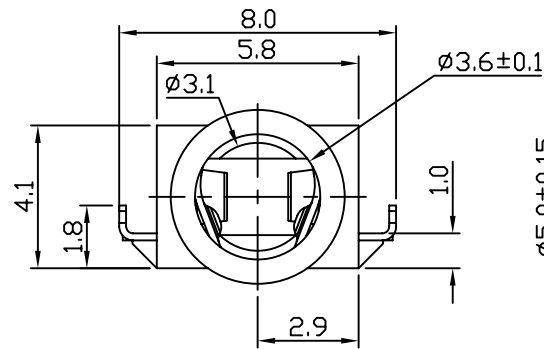
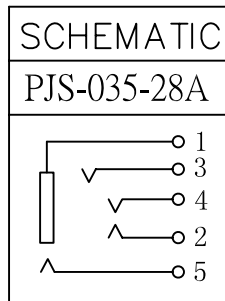
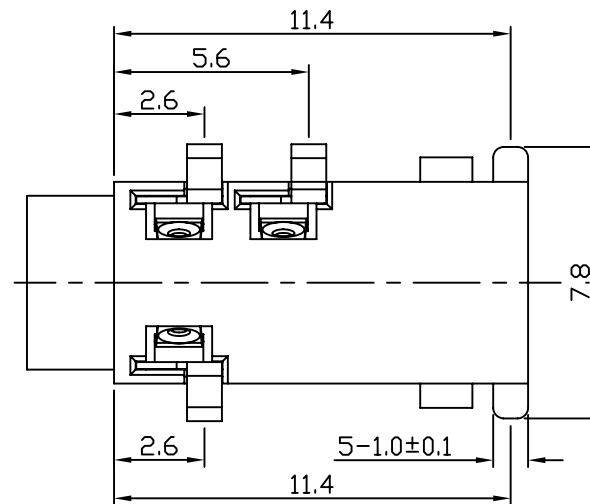
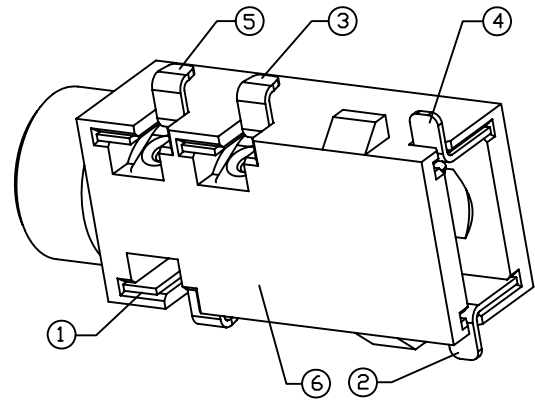


* REVISIONS				
LTR	DESCRIPTION	DATE	REVISED	APPROVED



T:1.6 Dimensions of PC board holes  
Tolerance : ±0.05(Printed-top view)



### LEAD FREE

6	HOUSING	1	PA9T		UL-94V0(BLACK)
5	5# TERMINAL	1	C5191	t=0.20	Ag PLATED
4	4# TERMINAL	1	C5191	t=0.20	Ag PLATED
3	3# TERMINAL	1	C5191	t=0.20	Ag PLATED
2	2# TERMINAL	1	C5191	t=0.20	Ag PLATED
1	1# TERMINAL	1	C5191	t=0.20	Ag PLATED
LTR	PART NAME	QTY	MATERIAL		REMARK
DWN	LILY	DATE	2013.05.19	3RD ANGLE PROJECTION	NAME MINIATURE JACK
CHKD	ANDY	DATE	2013.05.19		
APVD	JON	DATE	2013.05.19	UNIT: mm	CAT. NO. PJS-035-28A
JKCR Electronics Co., Ltd.					DWN.NO. A-035-28
					001

UNLESS OTHERWISE SPECIFIED, TOLERANCE ON DECIMAL: ±0.2