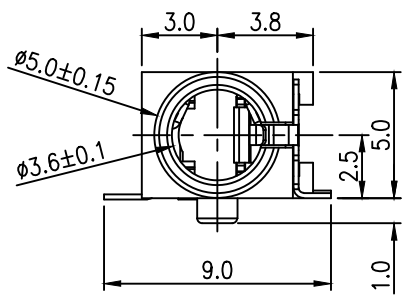
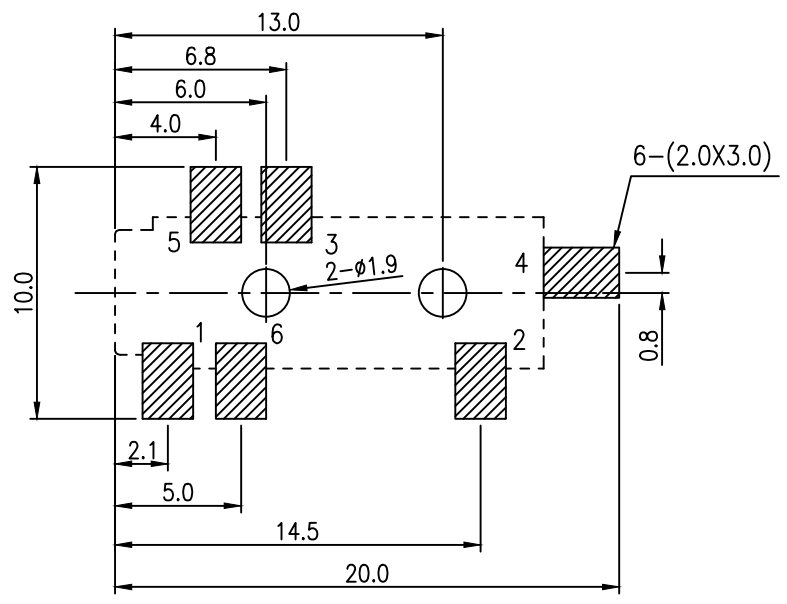
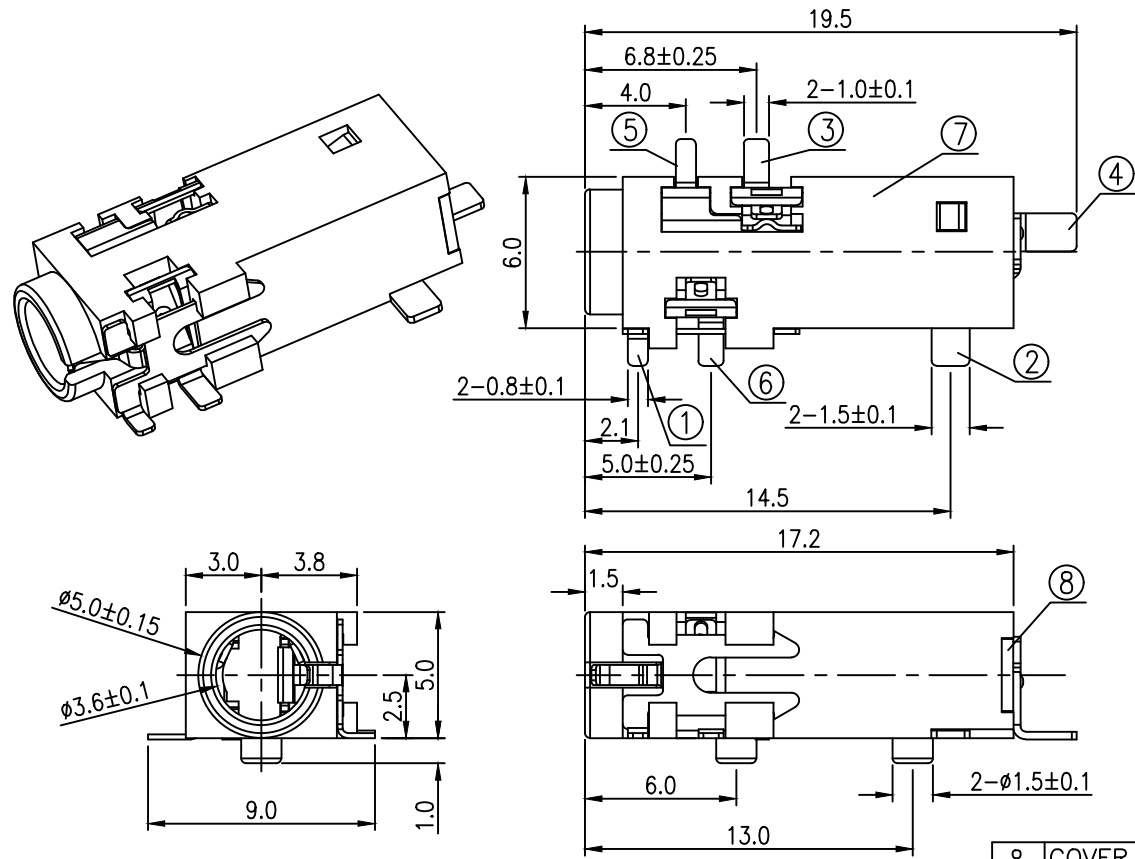
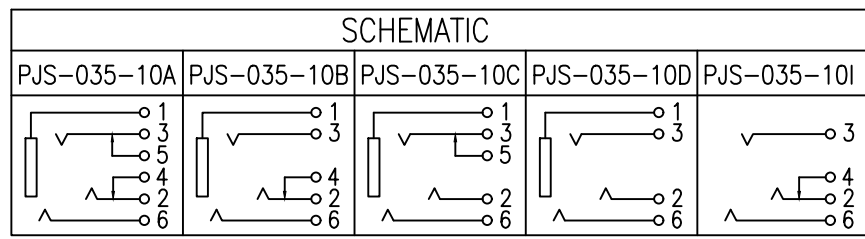


\* RoHS COMPLIANT \*

* REVISIONS				
LTR	DESCRIPTION	DATE	REVISED	APPROVED



T:1.6 Dimensions of PC board holes  
Tolerance : ±0.05(Printed-top view)



UNLESS OTHERWISE SPECIFIED, TOLERANCE ON DECIMAL: ±0.2

8	COVER	1	PA9T	UL-94V0(BLACK)
7	HOUSING	1	PA9T	UL-94V0(BLACK)
6	TERMINAL	1	C5191 t=0.20	MB:Ni Ag PLATED
5	TERMINAL	1	C5191 t=0.20	MB:Ni Ag PLATED
4	TERMINAL	1	C2680 t=0.30	MB:Ni Ag PLATED
3	TERMINAL	1	C5191 t=0.20	MB:Ni Ag PLATED
2	TERMINAL	1	C5191 t=0.30	MB:Ni Ag PLATED
1	TERMINAL	1	C5191 t=0.20	MB:Ni Ag PLATED
LTR	PART NAME	QTY	MATERIAL	REMARK
DWN	LILY	DATE	2013.03.29	3RD ANGLE PROJECTION NAME MINIATURE JACK CAT. NO. PJS-035-10 DWN.NO. A-035-10 001
CHKD	ANDY	DATE	2013.03.29	
APVD	JON	DATE	2013.03.29	
JKCR Electronics Co., Ltd.				