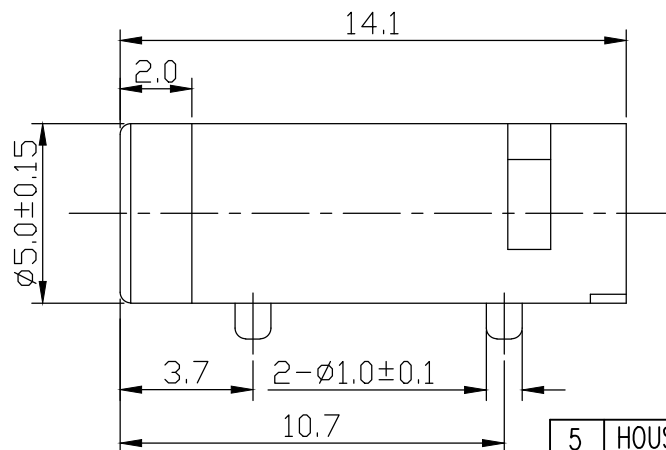
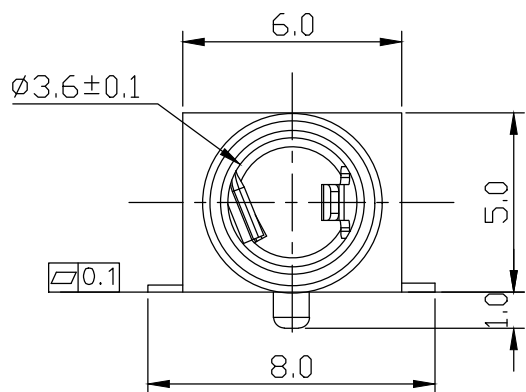
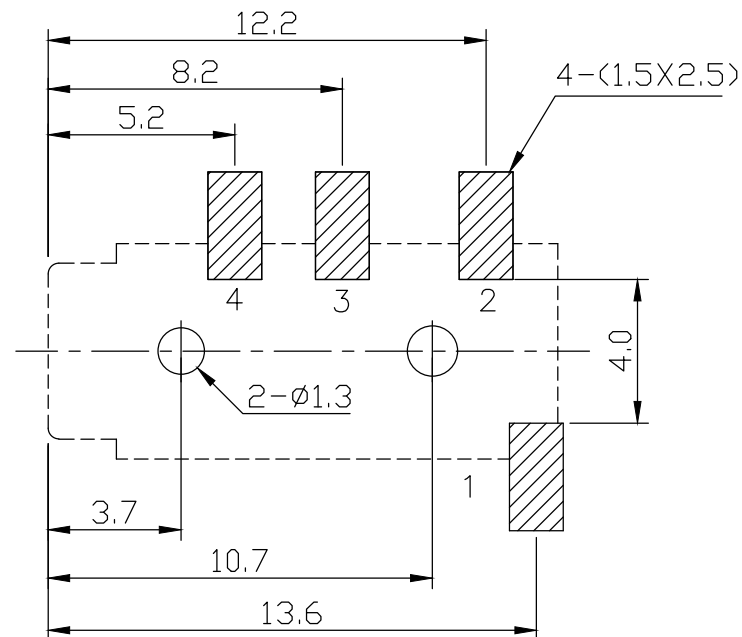
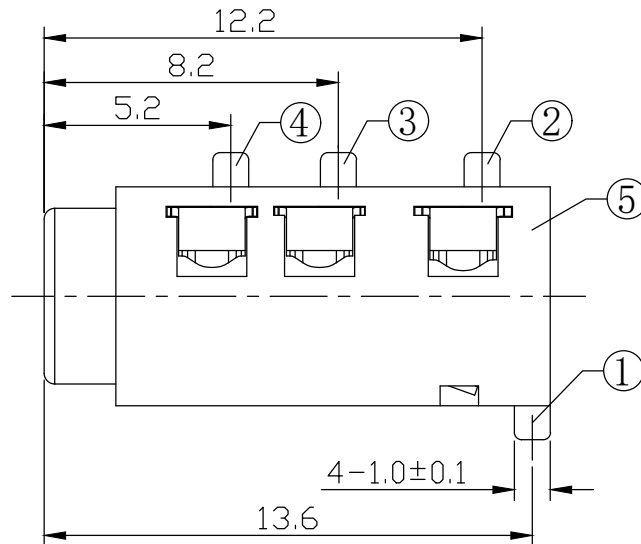
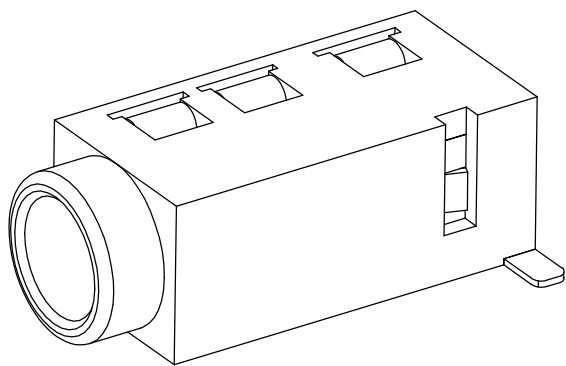
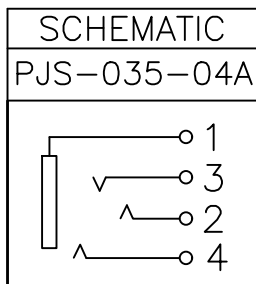


\* RoHS COMPLIANT \*

* REVISIONS				
LTR	DESCRIPTION	DATE	REVISED	APPROVED



T:1.6 Dimensions of PC board holes  
Tolerance : ±0.05(Printed-top view)



UNLESS OTHERWISE SPECIFIED, TOLERANCE ON DECIMAL: ±0.2

5	HOUSING	1	PA9T		UL-94V0(BLACK)
4	4# CONTACT FOOT	1	C5191	t=0.25	Ag PLATED
3	3# CONTACT FOOT	1	C5191	t=0.25	Ag PLATED
2	2# CONTACT FOOT	1	C5191	t=0.25	Ag PLATED
1	1# CONTACT FOOT	1	C5191	t=0.25	Ag PLATED
LTR	PART NAME	QTY	MATERIAL		REMARK
DWN	LILY	DATE	2013.04.29	3RD ANGLE PROJECTION	NAME MINIATURE JACK
CHKD	ANDY	DATE	2013.04.29		CAT. NO. PJS-035-04A
APVD	JON	DATE	2013.04.29	UNIT: mm	DWN.NO. A-035-04
JKCR Electronics Co., Ltd.					001