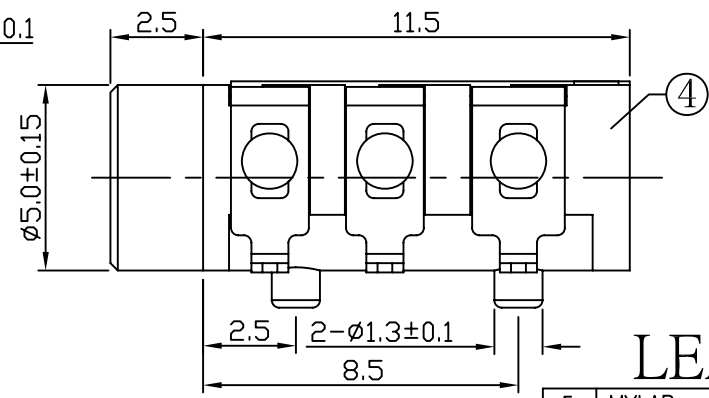
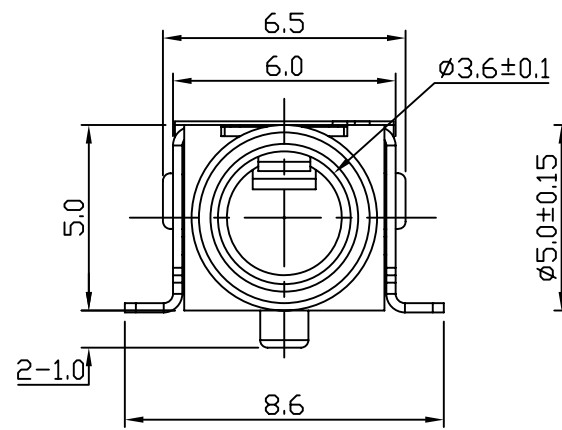
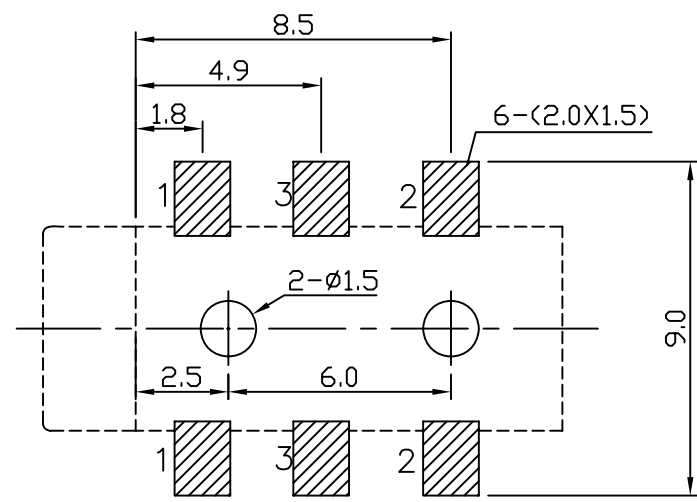
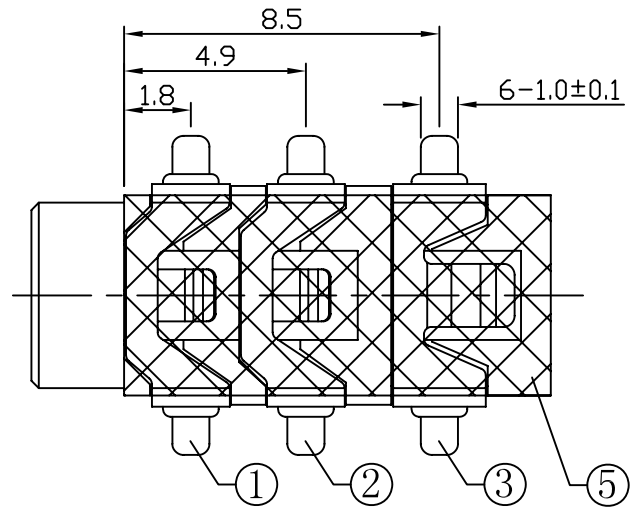
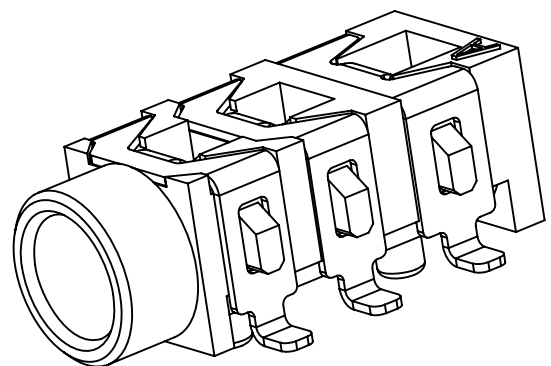
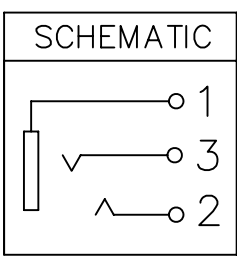


* REVISIONS				
LTR	DESCRIPTION	DATE	REVISED	APPROVED



T:1.6 Dimensions of PC board holes
Tolerance : ±0.05(Printed-top view)



LEAD FREE

5	MYLAR	1	POLYIMIDE TAPE	UL-94V0(BLACK)
4	HOUSING	1	PA9T	UL-94V0(BLACK)
3	3# CONTACT FOOT	1	C5191 t=0.25	Ag PLATED
2	2# CONTACT FOOT	1	C5191 t=0.25	Ag PLATED
1	1# CONTACT FOOT	1	C5191 t=0.25	Ag PLATED
LTR	PART NAME	QTY	MATERIAL	REMARK
DWN	LILY	DATE	2013.04.23	3RD ANGLE PROJECTION
CHKD	ANDY	DATE	2013.04.23	
APVD	JON	DATE	2013.04.23	UNIT: mm
JKCR Electronics Co., Ltd.				NAME MINIATURE JACK
				CAT. NO. PJS-035-01D
				DWN.NO. A-035-01
				001

UNLESS OTHERWISE SPECIFIED, TOLERANCE ON DECIMAL:±0.2