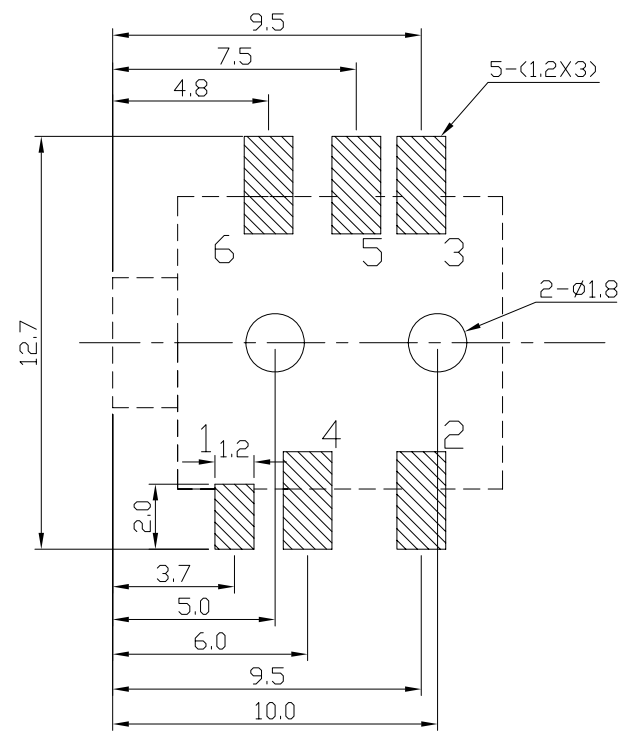
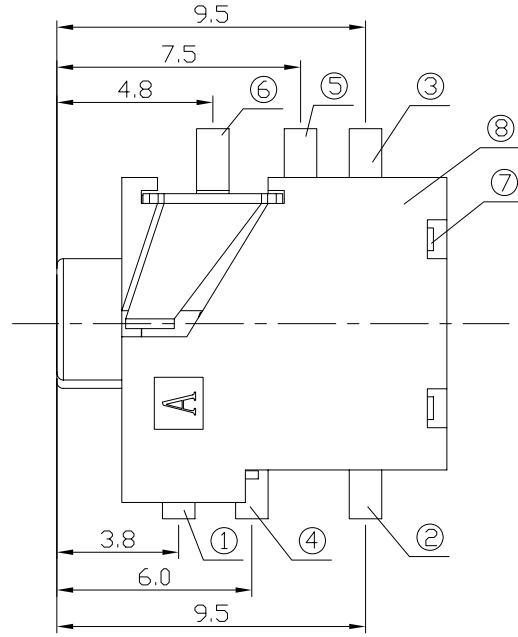
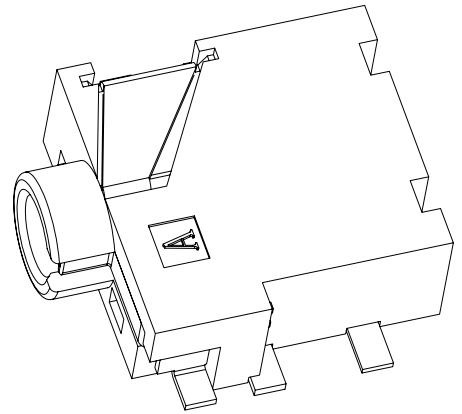
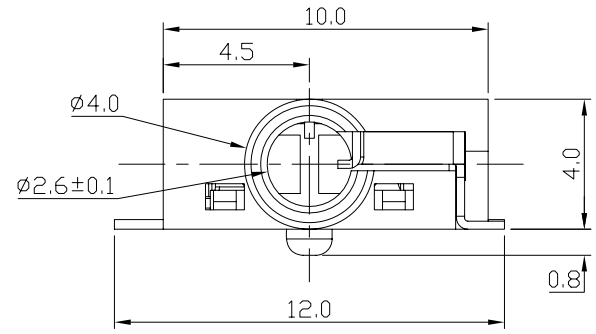
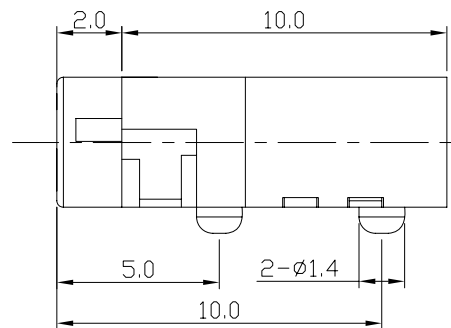


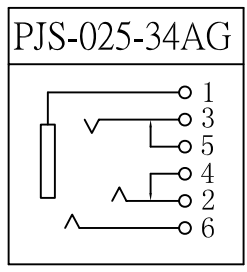
* REVISIONS				
LTR	DESCRIPTION	DATE	REVISED	APPROVED



T:1.6 Dimensions of PC board holes
Tolerance : ±0.05(Printed-top view)



LEAD FREE



8	HOUSING	1	PA9T	UL-94V0(BLACK)
7	COVER	1	PA9T	UL-94V0(BLACK)
6	TERMINAL	1	C5191 t=0.30	Au PLATED
5	TERMINAL	1	C2680 t=0.30	Au PLATED
4	TERMINAL	1	C2680 t=0.30	Au PLATED
3	TERMINAL	1	C5191 t=0.20	Au PLATED
2	TERMINAL	1	C5191 t=0.20	Au PLATED
1	TERMINAL	1	C5191 t=0.25	Au PLATED

LTR	PART NAME	QTY	MATERIAL	REMARK
DWN	LILY	DATE	2013.12.10	3RD ANGLE PROJECTION NAME MINIATURE JACK CAT. NO. PJS-025-34AG
CHKD	ANDY	DATE	2013.12.10	
APVD	JON	DATE	2013.12.10	

UNLESS OTHERWISE SPECIFIED, TOLERANCE ON DECIMAL: ±0.2

JKCR Electronics Co., Ltd.

DWN.NO.
A-025-34 001