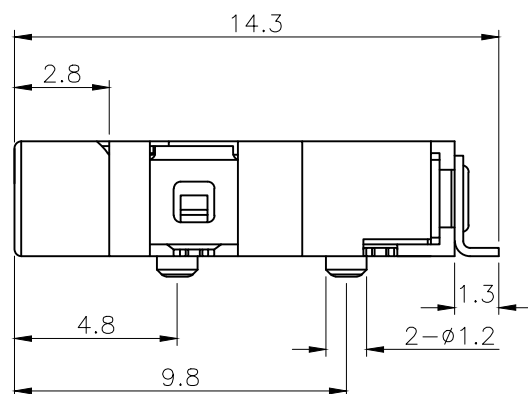
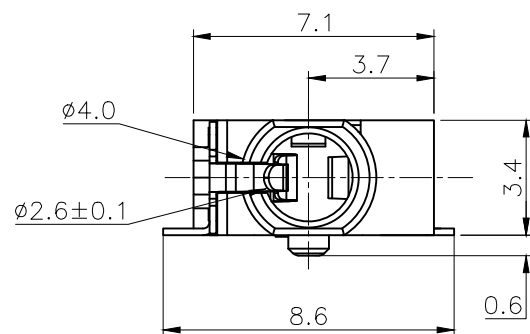
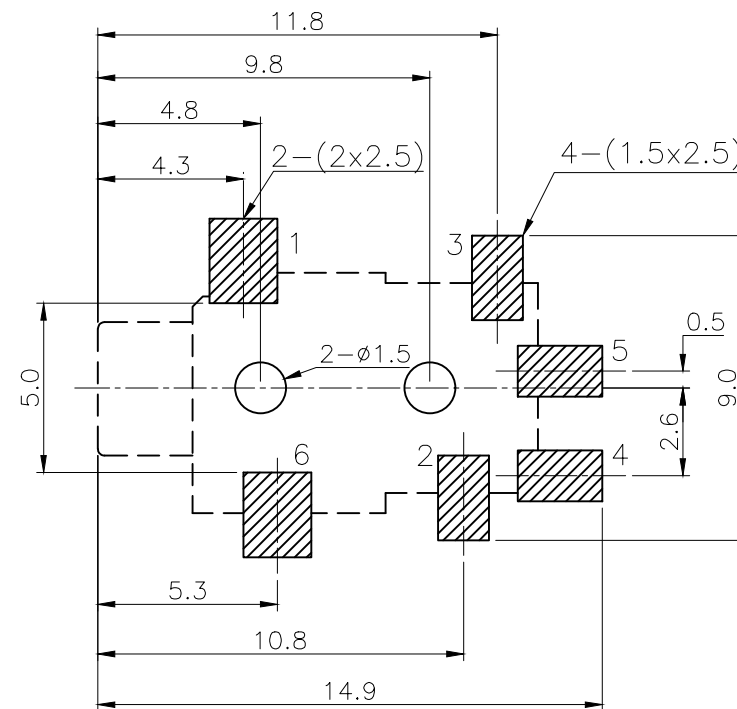
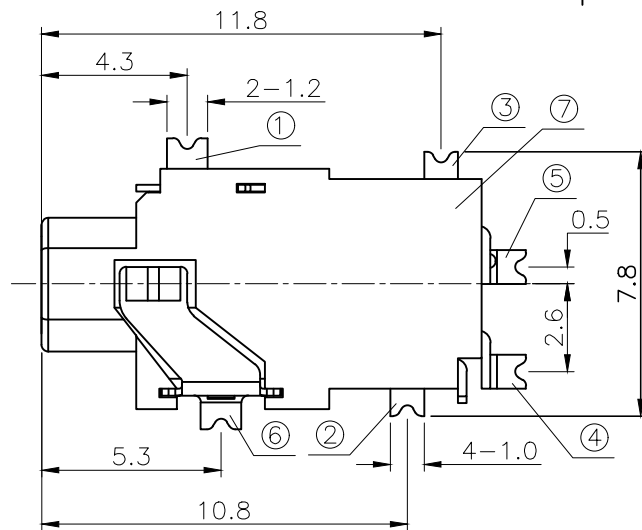
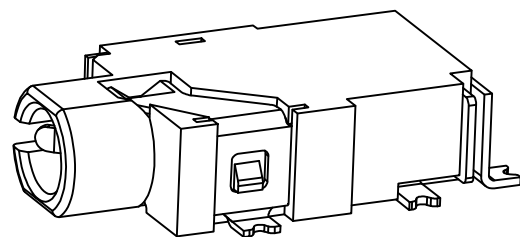
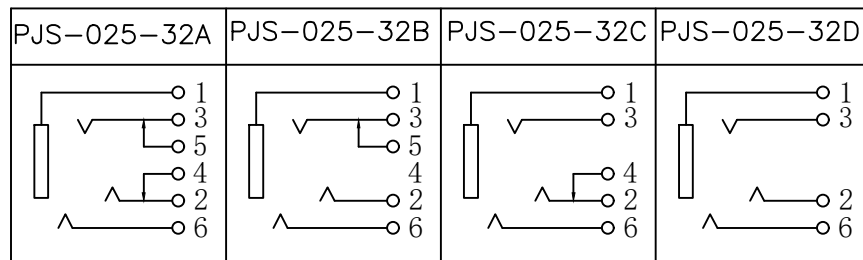


* RoHS COMPLIANT *



T:1.6 Dimensions of PC board holes
Tolerance : ±0.05(Printed-top view)



UNLESS OTHERWISE SPECIFIED, TOLERANCE ON DECIMAL: ±0.2

		* REVISIONS			
LTR	DESCRIPTION	DATE	REVISED	APPROVED	

7	HOUSING	1	PA9T	UL-94V0(BLACK)
6	TREMINAL	1	C2680 t=0.20	Ag PLATED
5	TREMINAL	1	C2680 t=0.25	Ag PLATED
4	TREMINAL	1	C5191 t=0.25	Ag PLATED
3	TREMINAL	1	C5191 t=0.20	Ag PLATED
2	TREMINAL	1	C5191 t=0.25	Ag PLATED
1	TREMINAL	1	C5191 t=0.20	Ag PLATED
LTR	PART NAME	QTY	MATERIAL	REMARK
DWN	LILY	DATE	2009.03.09	3RD ANGLE PROJECTION NAME MINIATURE JACK CAT. NO. PJS-025-32 DWN.NO. A-025-32
CHKD	ANDY	DATE	2009.03.09	
APVD	JON	DATE	2009.03.09	
JKCR Electronics Co., Ltd.				001