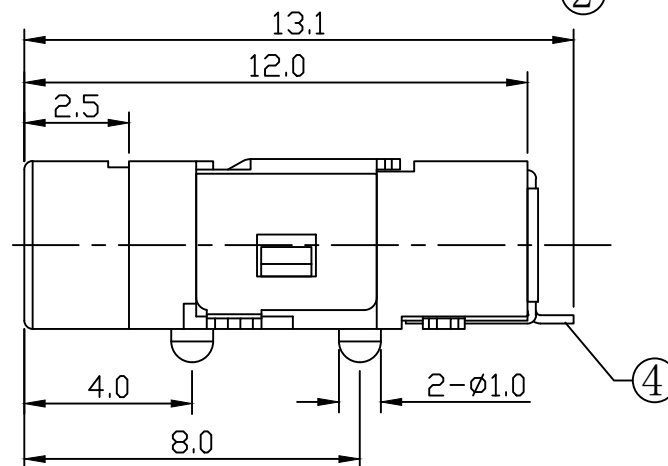
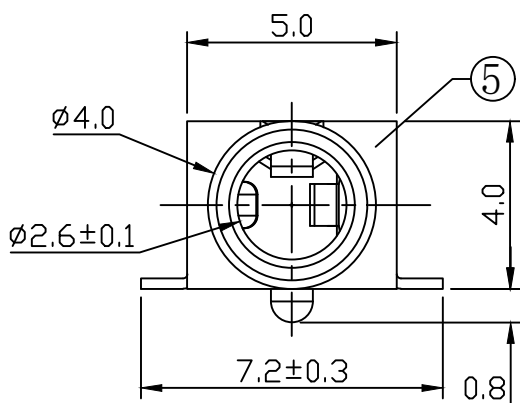
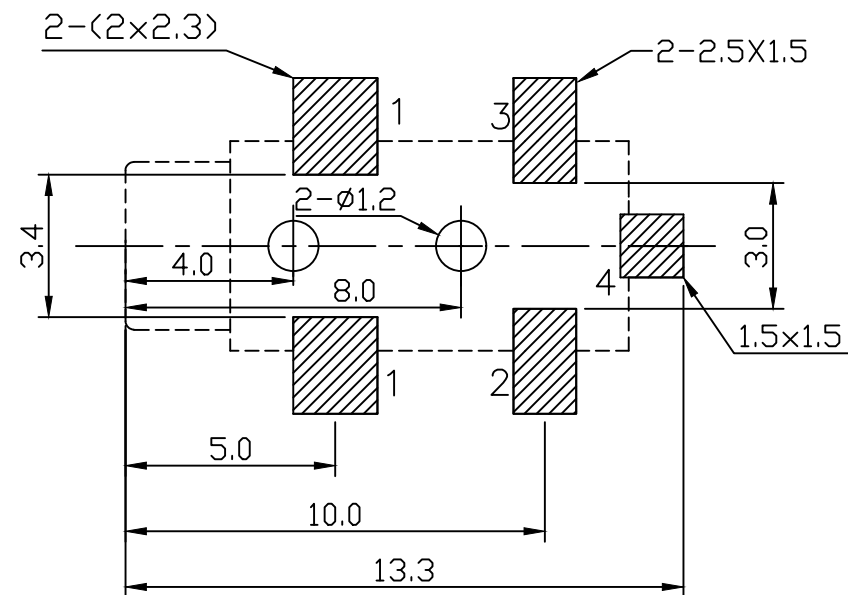
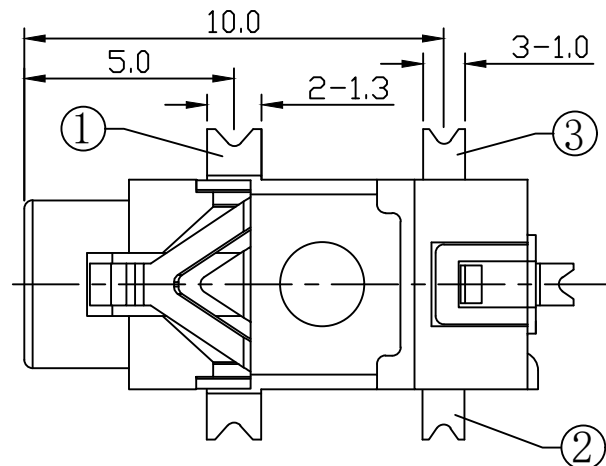
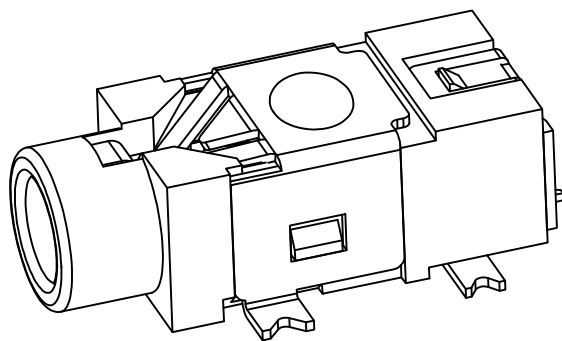
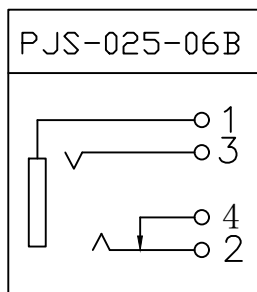


* RoHS COMPLIANT *

		* REVISIONS		
LTR	DESCRIPTION	DATE	REVISED	APPROVED



T:1.6 Dimensions of PC board holes
Tolerance : ±0.05(Printed-top view)



5	HOUSING	1	PA9T	UL-94V0(BALCK)
4	CURVE PIECE	1	C2680 t=0.20	Ag PLATED
3	SPRING PIECE	1	C5191 t=0.25	Ag PLATED
2	SPRING PIECE	1	C5191 t=0.25	Ag PLATED
1	CONTACT FOOT	1	C5191 t=0.25	Ag PLATED

LTR	PART NAME	QTY	MATERIAL	REMARK
DWN	LILY	DATE	2014.02.09	3RD ANGLE PROJECTION NAME MINIATURE JACK CAT. NO. PJS-025-06B DWN.NO. A-025-06
CHKD	ANDY	DATE	2014.02.09	
APVD	JON	DATE	2014.02.09	

UNLESS OTHERWISE SPECIFIED, TOLERANCE ON DECIMAL: ±0.2

JKCR Electronics Co., Ltd.

001