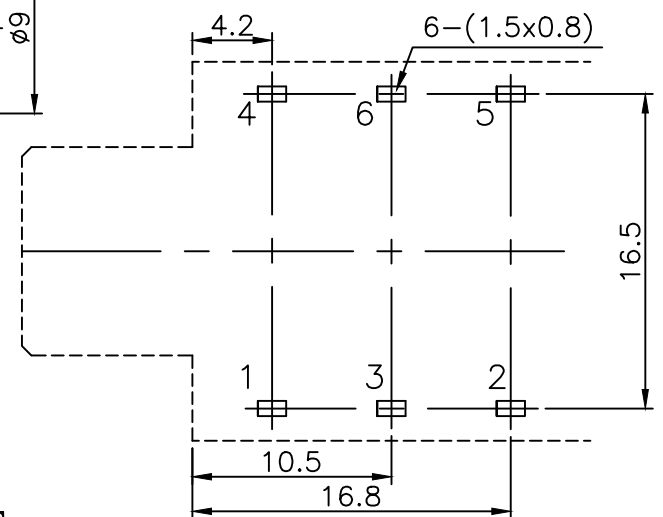
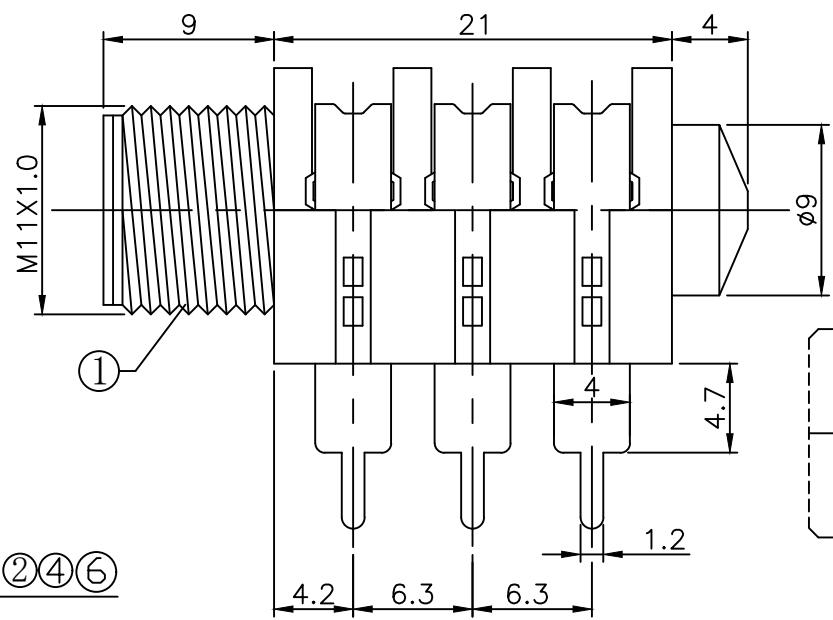
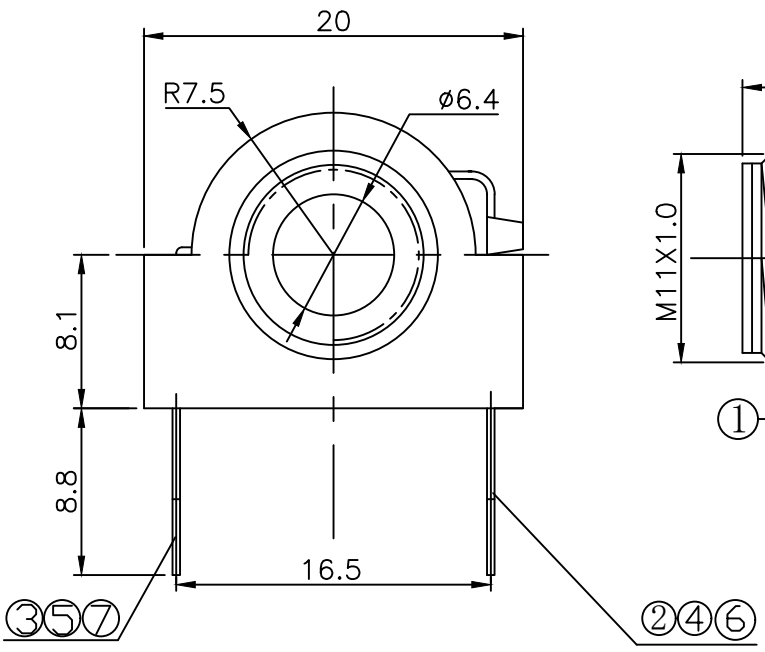
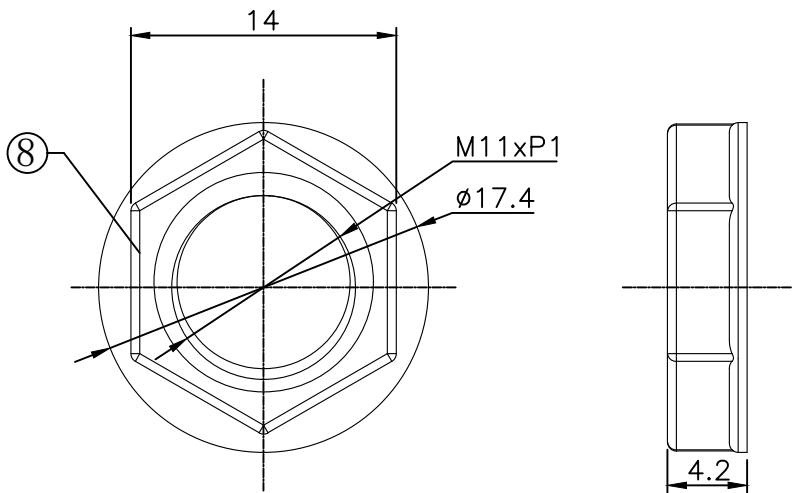
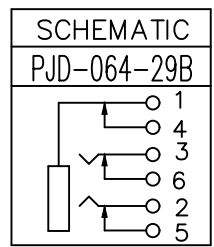


* REVISIONS				
LTR	DESCRIPTION	DATE	REVISED	APPROVED



T:1.6 Dimensions of PC board holes  
Tolerance : ±0.05(Printed-top view)

LEAD FREE



8	SLEEVE NUT	1	PBT 4815	UL-94V0(BLACK)
7	CONTACT FOOT	1	C2680	Sn PLATED
6	SPRING	1	C5191	Sn PLATED
5	CONTACT FOOT	1	C2680	Sn PLATED
4	SPRING	1	C5191	Sn PLATED
3	CONTACT FOOT	1	C2680	Sn PLATED
2	SPRING	1	C5191	Sn PLATED
1	HOUSING	1	PBT 4815	UL-94V0(BLACK)

LTR	PART NAME	QTY	MATERIAL	REMARK
DWN	LILY	DATE	2016.07.14	NAME PHONE JACK CAT. NO. PJD-064-29B DWN.NO. F-064-29
CHKD	ANDY	DATE	2016.07.14	
APVD	JON	DATE	2016.07.14	

UNLESS OTHERWISE SPECIFIED, TOLERANCE ON DECIMAL: ±0.3

JKCR Electronics Co., Ltd.

001