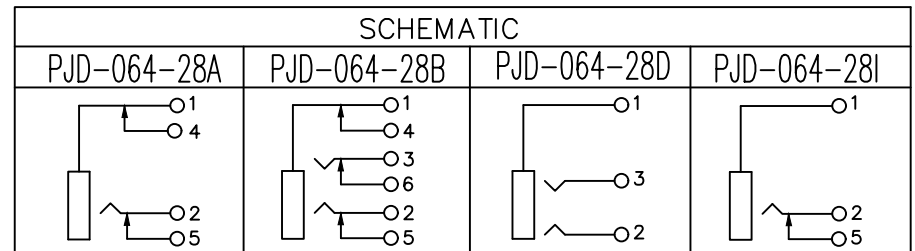
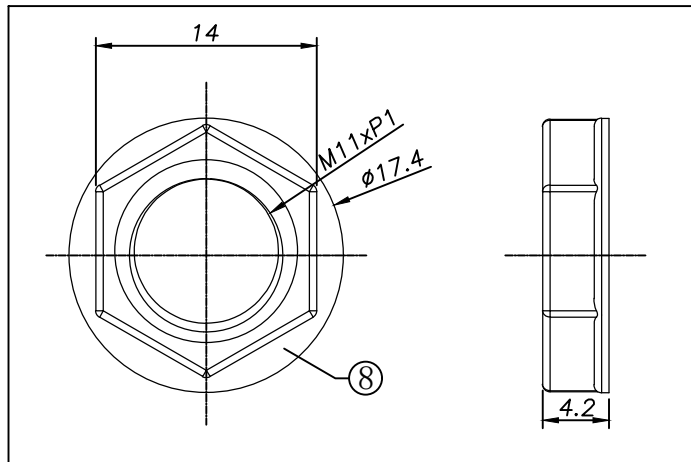
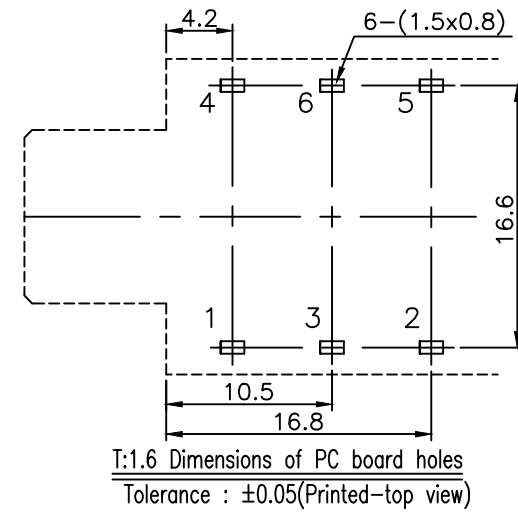
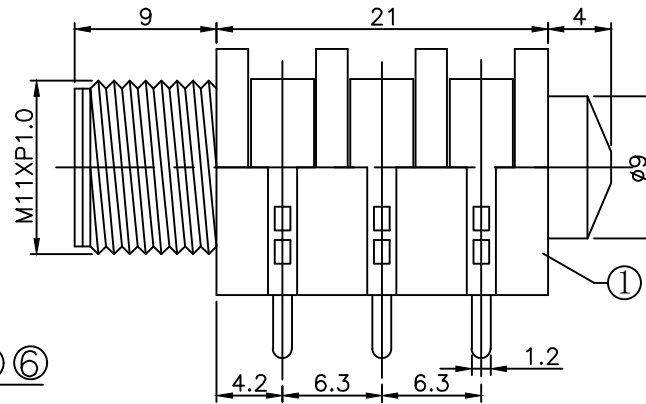
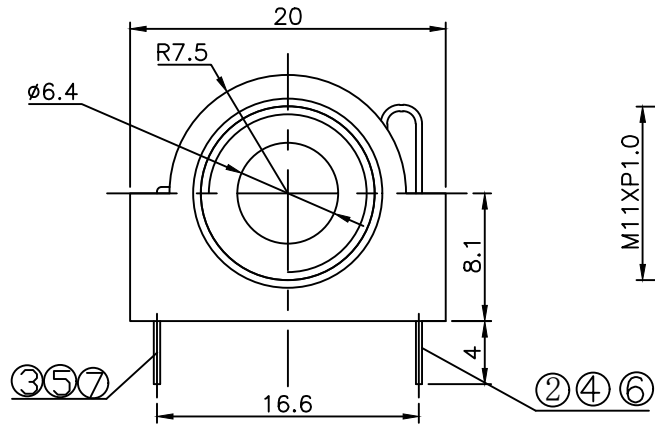


* RoHS COMPLIANT *

* REVISIONS

LTR	DESCRIPTION	DATE	REVISED	APPROVED
-----	-------------	------	---------	----------



8	NUT	1	ABS	UL-94HB(BLACK)
7	CONTACT FOOT	1	C2680	Ag PLATED
6	SPRING	1	C5191	Sn PLATED
5	CONTACT FOOT	1	C2680	Ag PLATED
4	SPRING	1	C5191	Sn PLATED
3	CONTACT FOOT	1	C2680	Ag PLATED
2	SPRING	1	C5191	Sn PLATED
1	HOUSING	1	PBT 4815	UL-94V0(BLACK)
LTR	PART NAME	QTY	MATERIAL	REMARK

DWN	LILY	DATE	2013.07.17	3RD ANGLE PROJECTION	NAME	PHONE JACK
CHKD	ANDY	DATE	2013.07.17		CAT. NO.	PJD-064-28
APVD	JON	DATE	2013.07.17	UNIT: mm	DWN.NO.	B-064-28
JKCR Electronics Co., Ltd.						001

UNLESS OTHERWISE SPECIFIED, TOLERANCE ON DECIMAL: ±0.3