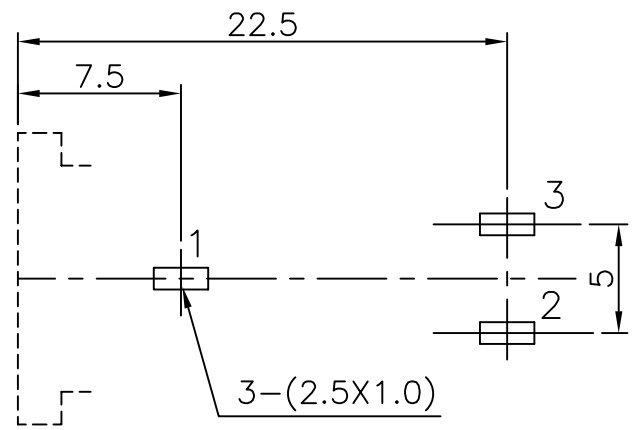
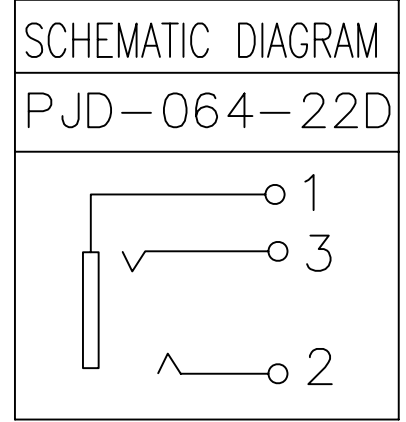
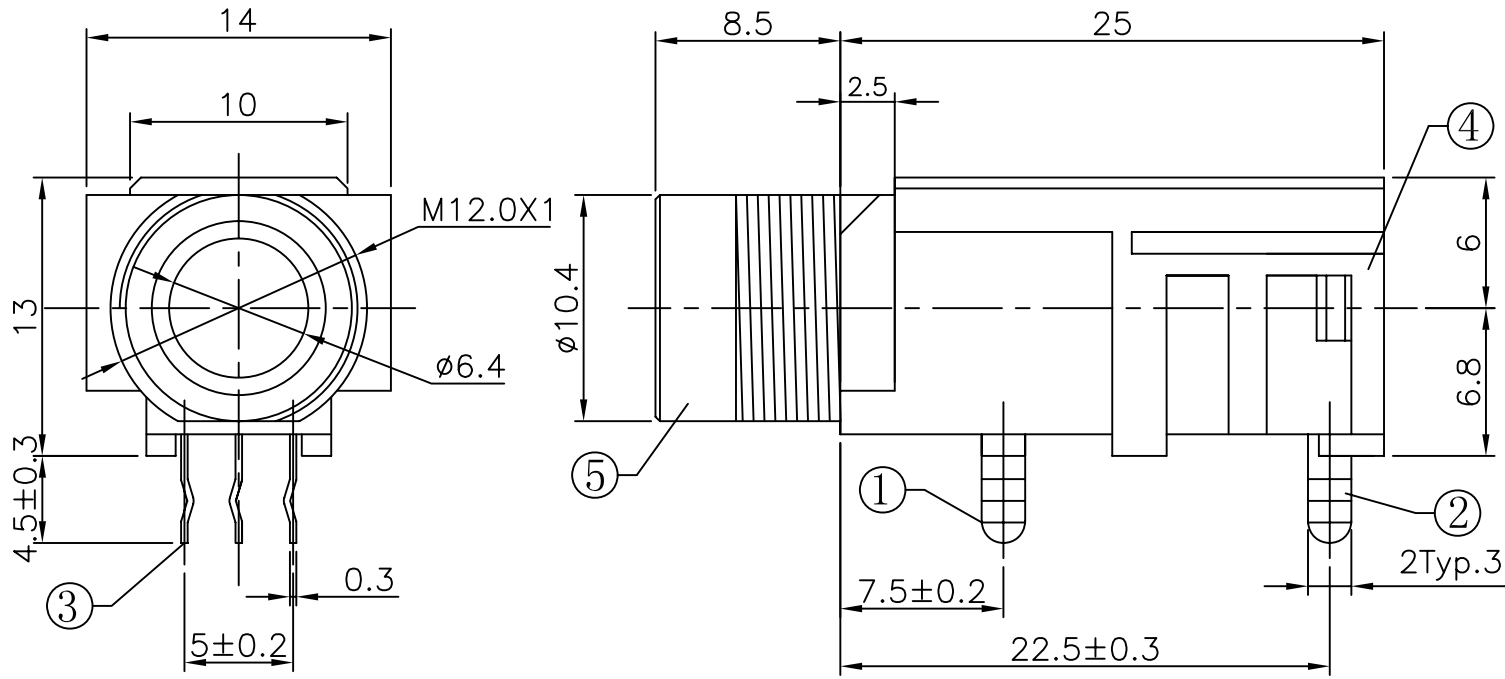


		* REVISIONS		
LTR	DESCRIPTION	DATE	REVISED	APPROVED



T:1.6 Dimensions of PC board holes
Tolerance : ±0.05(Printed-top view)

UNLESS OTHERWISE SPECIFIED, TOLERANCE ON DECIMAL: ±0.3

LEAD FREE

5	HOUSING	1	PBT 4815	UL-94V0(BLACK)
4	COVER	1	PBT 4815	UL-94V0(BLACK)
3	3# CONTACT FOOT	1	C5191	Ag PLATED
2	2# CONTACT FOOT	1	C5191	Ag PLATED
1	1# CONTACT FOOT	1	C5191	Ag PLATED
LTR	PART NAME	QTY	MATERIAL	REMARK
DWN	LILY	DATE	2013.04.30	3RD ANGLE PROJECTION
CHKD	ANDY	DATE	2013.04.30	
APVD	JON	DATE	2013.04.30	UNIT: mm
JKCR Electronics Co., Ltd.				DWN.NO.
				B-064-22
				001

NAME
PHONE JACK

CAT. NO.
PJD-064-22

DWN.NO.
B-064-22