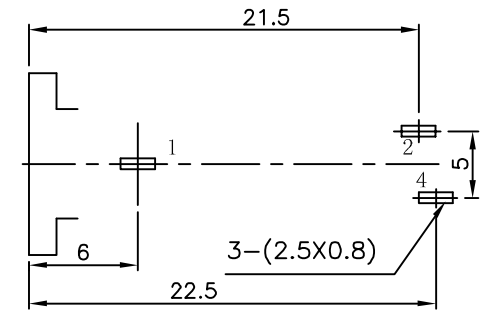
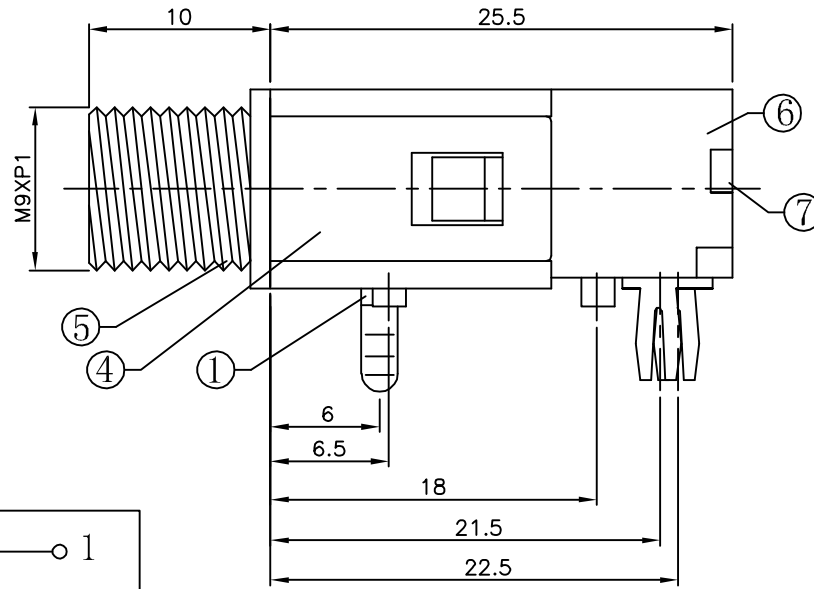
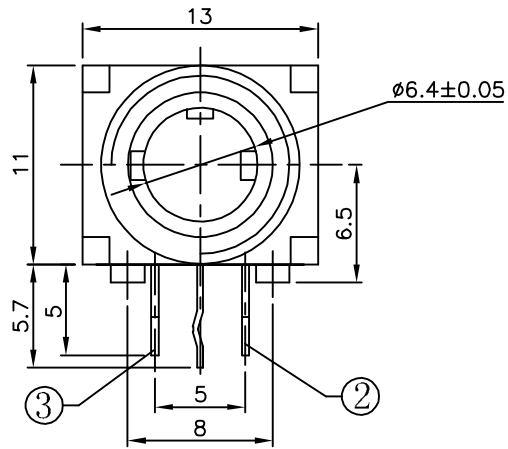
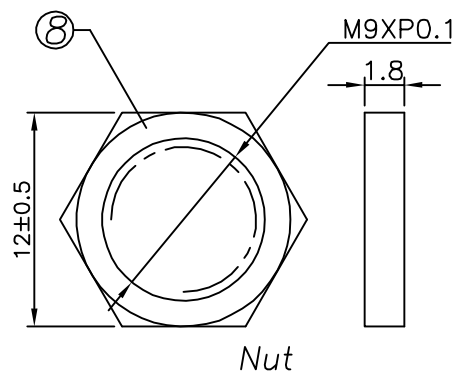
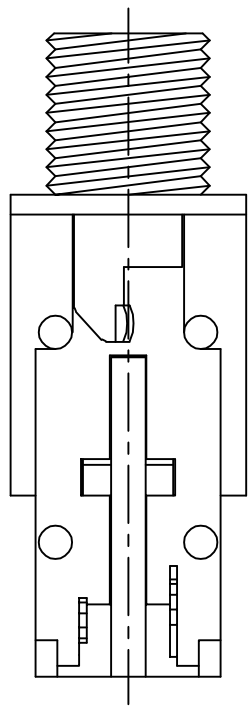
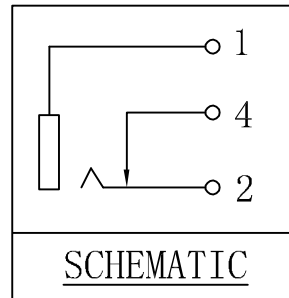


* REVISIONS				
LTR	DESCRIPTION	DATE	REVISED	APPROVED



T:1.6 Dimensions of PC board holes
Tolerance : ± 0.05 (Printed-bottom view)



LEAD FREE

8	NUT	1	H59	Ni PLATED
7	COVER	1	ABS	UL-94HB
6	HOUSING	1	ABS	UL-94HB(RED)
5	BUSHING	1	C2680	Ni PLATED
4	EARTH TERMINAL	1	SPCC	Sn PLATED
3	SHUNT TERMINAL	1	C5191	Ag PLATED
2	TIP SPRING	1	C2680	Ag PLATED
1	EARTH SPRING	1	C5191	Ag PLATED
LTR	PART NAME	QTY	MATERIAL	REMARK
DWN	LILY	DATE	2013.09.09	3RD ANGLE PROJECTION
CHKD	ANDY	DATE	2013.09.09	
APVD	JON	DATE	2013.09.09	
JKCR Electronics Co., Ltd.				NAME PHONE JACK
				CAT. NO. PJD-064-16I
				DWN.NO. F-064-16
				001

UNLESS OTHERWISE SPECIFIED, TOLERANCE ON DECIMAL: ± 0.3