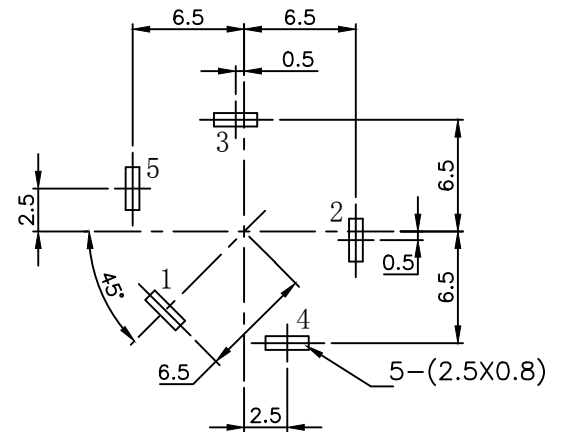
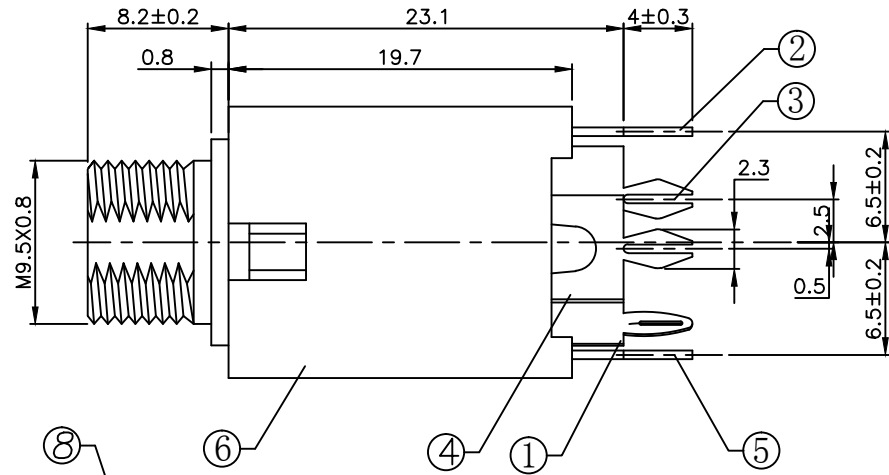
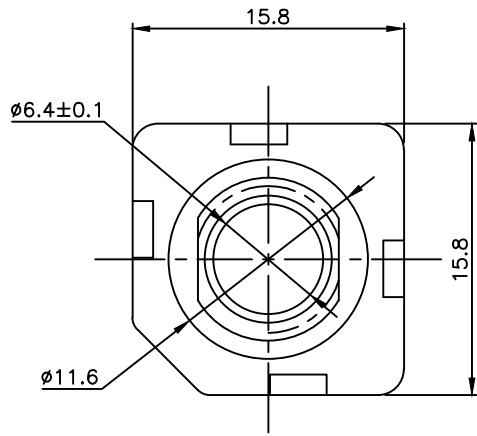
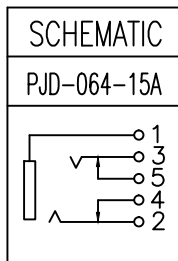
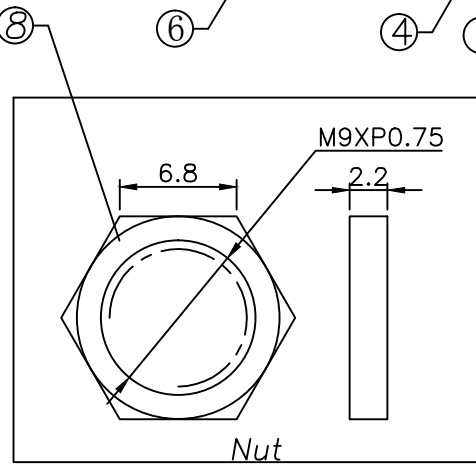
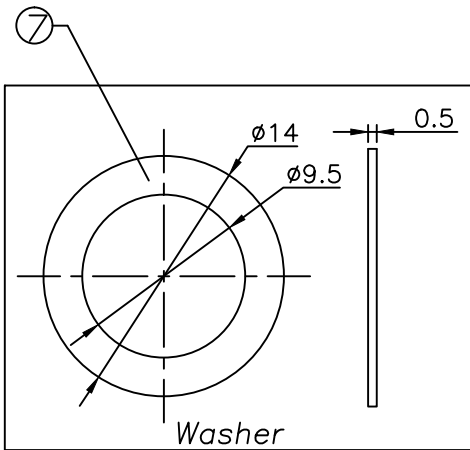


* REVISIONS				
LTR	DESCRIPTION	DATE	REVISED	APPROVED



T:1.6 Dimensions of PC board holes
Tolerance : ±0.05(Printed-top view)



LEAD FREE

8	NUT	1	C2680	Ni PLATED
7	WASHER	1	IRON	Ni PLATED
6	HOUSING	1	PA66	UL-94HB
5	CURVE PIECE	1	C2680	Ag PLATED
4	SPRING	1	C5191	Ag PLATED
3	CURVE PIECE	1	C2680	Ag PLATED
2	SPRING	1	C5191	Ag PLATED
1	CONTACT FOOT	1	C5191	Ag PLATED

LTR	PART NAME	QTY	MATERIAL	REMARK
DWN	LILY	DATE	2019.02.22	NAME PHONE JACK
CHKD	ANDY	DATE	2019.02.22	
APVD	JON	DATE	2019.02.22	CAT. NO. PJD-064-15A
JKCR Electronics Co., Ltd.				DWN.NO. B-064-15

UNLESS OTHERWISE SPECIFIED, TOLERANCE ON DECIMAL: ±0.3