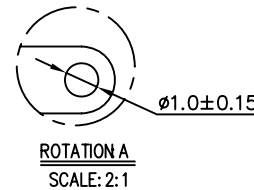
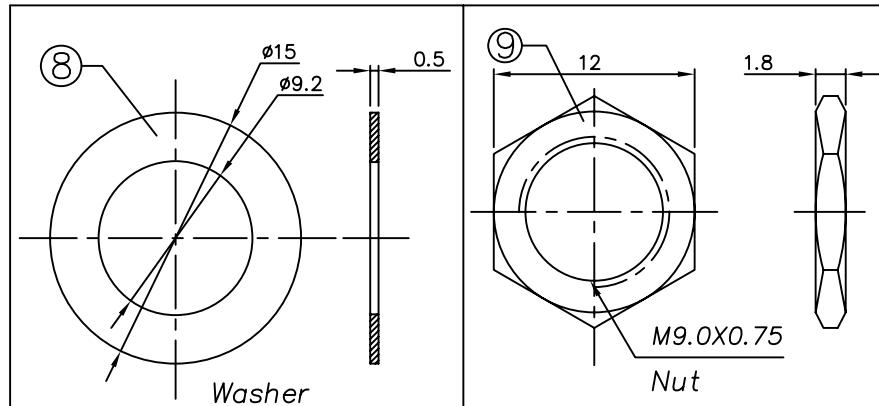
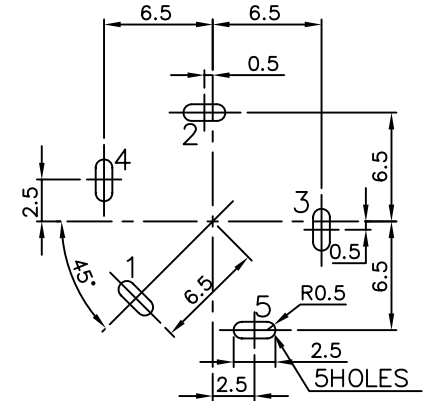
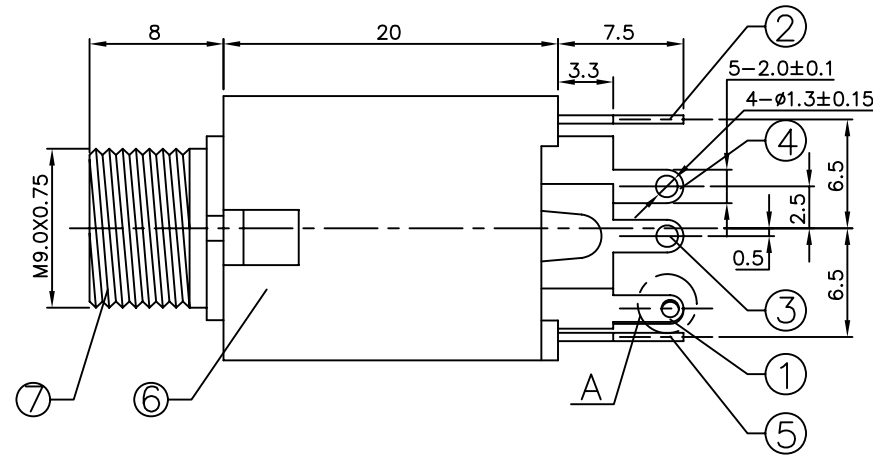
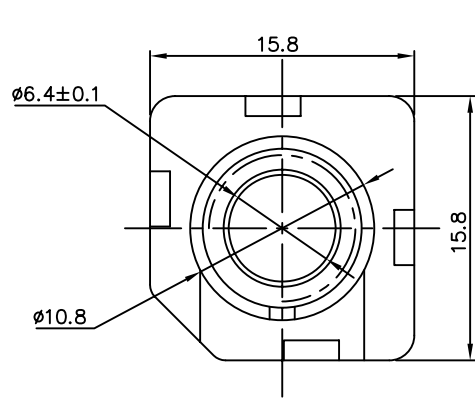


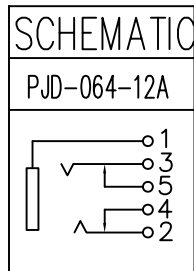
* REVISIONS				
LTR	DESCRIPTION	DATE	REVISED	APPROVED



T:1.6 Dimensions of PC board holes
Tolerance : ±0.05(Printed-top view)

LEAD FREE

9	NUT	1	H59(COPPER ALLOY)	Ni PLATED
8	WASHER	1	SUS(STAINLESS STEEL)	Ni PLATED
7	AXIS SUPPORT	1	H59(COPPER ALLOY)	Ni PLATED
6	HOUSING	1	ABS	UL-94HB(BLACK)
5	SHUNT TERMINAL	1	C2680	t=0.40 Sn PLATED
4	SHUNT TERMINAL	1	C2680	t=0.40 Sn PLATED
3	RING SPRING	1	C5191	t=0.40 Sn PLATED
2	TIP SPRING	1	C5191	t=0.40 Sn PLATED
1	EARTH SPRING	1	C2680	t=0.30 Sn PLATED



LTR	PART NAME	QTY	MATERIAL	REMARK
DWN	LILY	DATE	2013.08.01	3RD ANGLE PROJECTION NAME PHONE JACK CAT. NO. PJD-064-12A DWN.NO. B-064-12
CHKD	ANDY	DATE	2013.08.01	
APVD	JON	DATE	2013.08.01	
JKCR Electronics Co., Ltd.				001

UNLESS OTHERWISE SPECIFIED, TOLERANCE ON DECIMAL: ±0.3