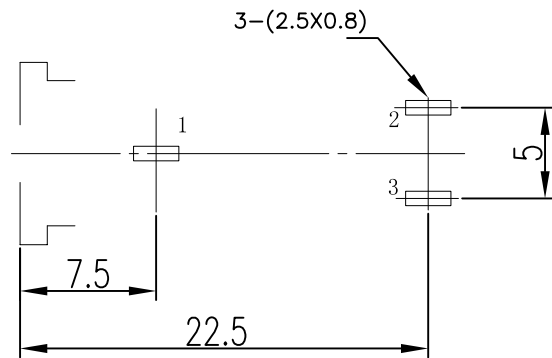
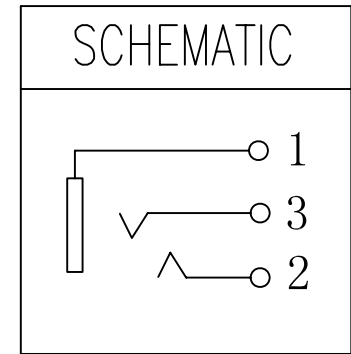
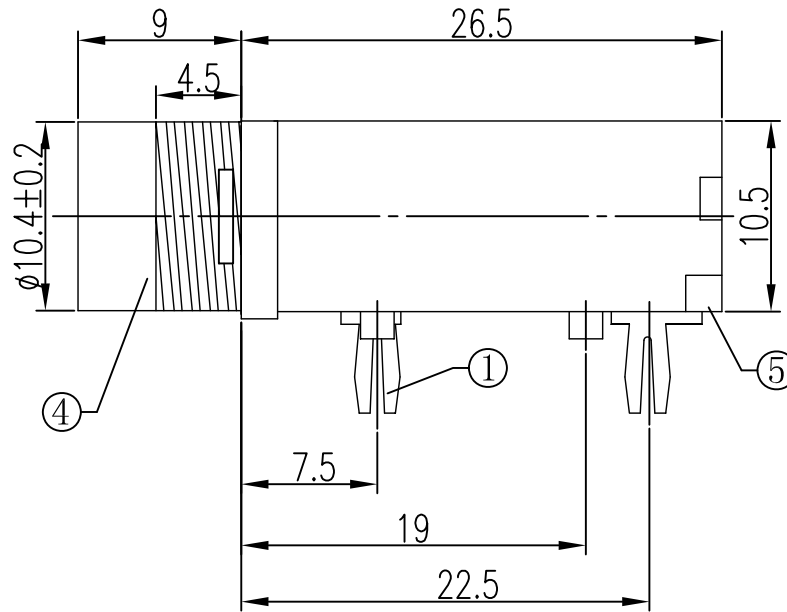
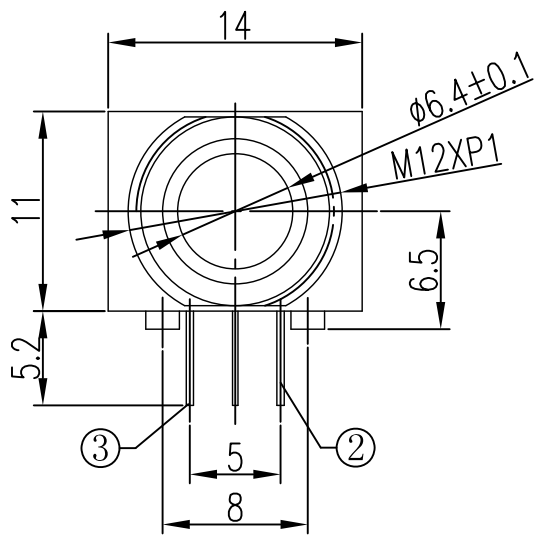


* REVISIONS				
LTR	DESCRIPTION	DATE	REVISED	APPROVED



T:1.6 Dimensions of PC board holes
Tolerance : ±0.1(Printed-BOTTOM view)

LEAD FREE

5	COVER	1	ABS	UL-94HB(BLACK)
4	HOUSING	1	ABS	UL-94HB(BLACK)
3	3# CONTACT FOOT	1	C5191 t=0.4	Sn PLATED
2	2# CONTACT FOOT	1	C5191 t=0.4	Sn PLATED
1	1# CONTACT FOOT	1	C5191 t=0.3	Sn PLATED

LTR	PART NAME	QTY	MATERIAL	REMARK
DWN	LILY	DATE	2013.05.22	3RD ANGLE PROJECTION NAME PHONE JACK CAT. NO. PJD-064-10D DWN.NO. B-064-10
CHKD	ANYD	DATE	2013.05.22	
APVD	JON	DATE	2013.05.22	
JKCR Electronics Co., Ltd.				001

UNLESS OTHERWISE SPECIFIED, TOLERANCE ON DECIMAL: ±0.3