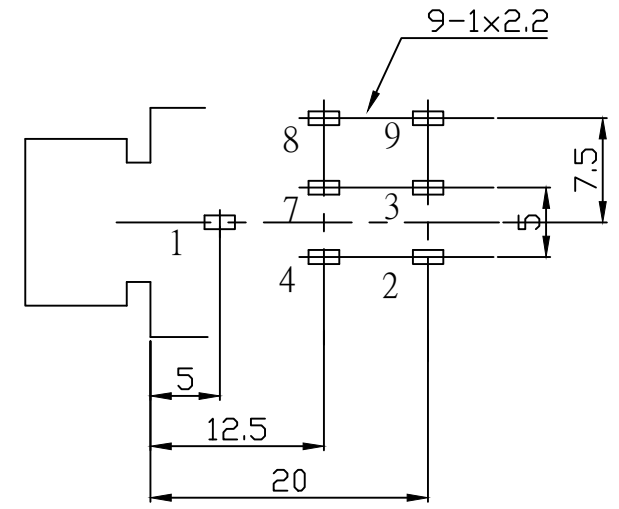
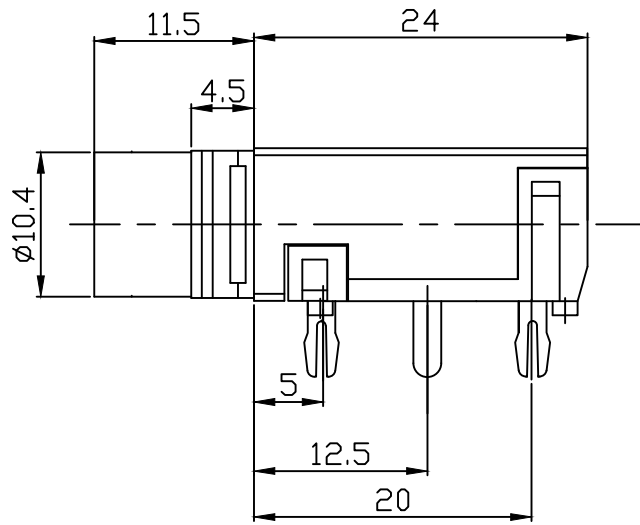
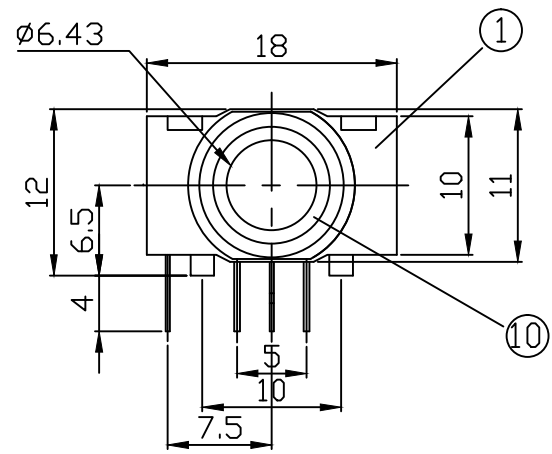
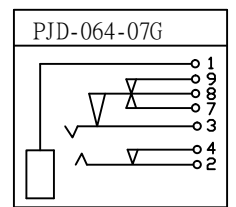
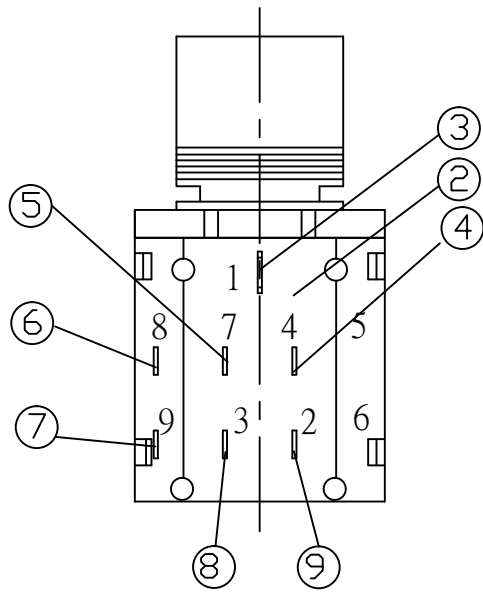


* REVISIONS				
LTR	DESCRIPTION	DATE	REVISED	APPROVED



T:1.6 Dimensions of PC board holes  
Tolerance : ±0.05(Printed-top view)



### LEAD FREE

10	NUT	1	H59		Ni	PLATED
9	TERMINAL	1	C5191	t=0.3	Ag	PLATED
8	TERMINAL	1	C5191	t=0.3	Ag	PLATED
7	RING SPRING	1	C5191	t=0.3	Ag	PLATED
6	RING SPRING	1	C5191	t=0.3	Ag	PLATED
5	EARTH TERMINAL	1	C5191	t=0.3	Ag	PLATED
4	TIP SPRING	1	C5191	t=0.3	Ag	PLATED
3	EARTH TERMINAL	1	C5191	t=0.3	Ag	PLATED
2	COVER	1	PC			
1	HOUSING	1	ABS			

LTR	PART NAME	QTY	MATERIAL	REMARK
DWN	LILY	DATE	2018.11.23	3RD ANGLE PROJECTION NAME PHONE JACK CAT. NO. PJD-064-07G DWN.NO. B-064-07
CHKD	ANDY	DATE	2018.11.23	
APVD	JON	DATE	2018.11.23	

UNLESS OTHERWISE SPECIFIED, TOLERANCE ON DECIMAL: ±0.3

JKCR Electronics Co., Ltd.

001