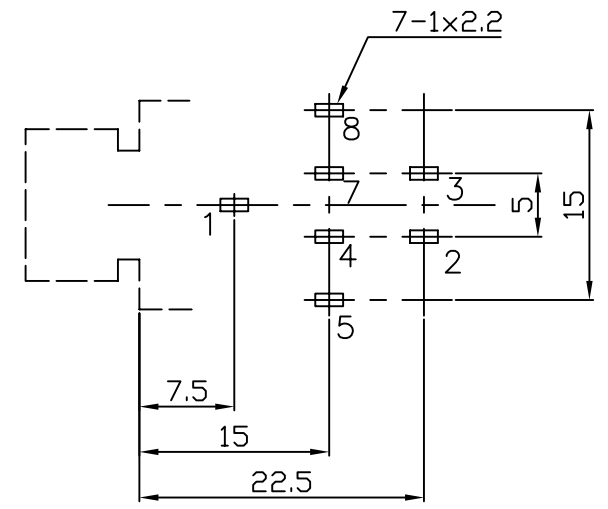
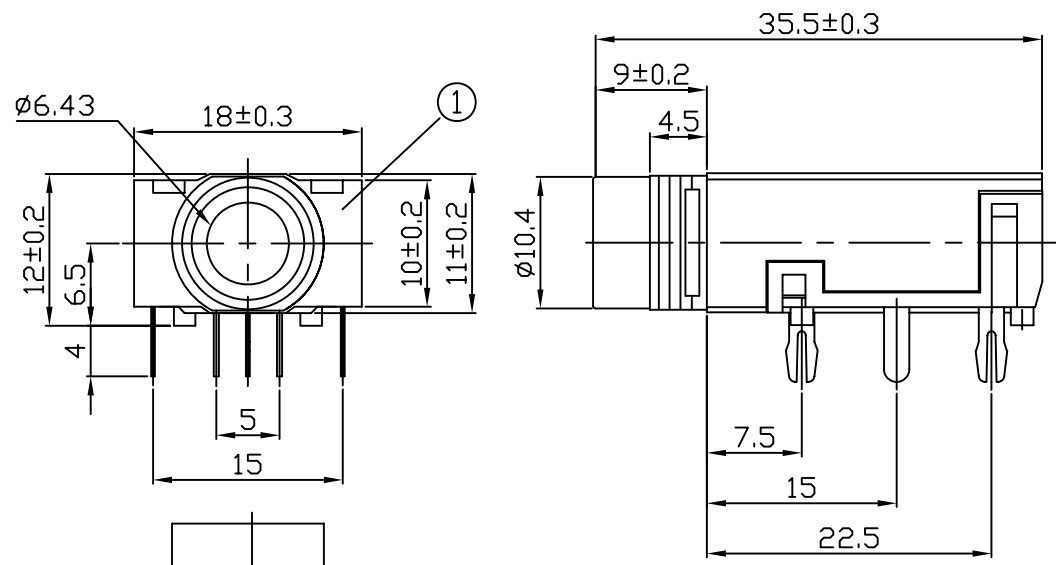
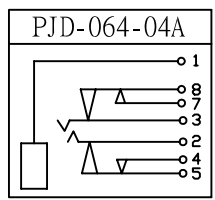
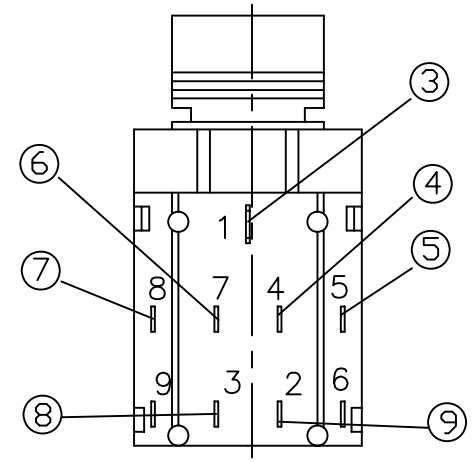


* REVISIONS				
LTR	DESCRIPTION	DATE	REVISED	APPROVED



T:1.6 Dimensions of PC board holes
Tolerance : ±0.05(Printed-top view)



LEAD FREE

9	TERMINAL	1	C2680	t=0.4	Ag	PLATED
8	TERMINAL	1	C2680	t=0.4	Ag	PLATED
7	RING SPRING	1	C5191	t=0.3	Ag	PLATED
6	EARTH TERMINAL	1	C2680	t=0.4	Ag	PLATED
5	BREAK TERMINAL	1	C5191	t=0.3	Ag	PLATED
4	TIP SPRING	1	C2680	t=0.4	Ag	PLATED
3	EARTH TERMINAL	1	C5191	t=0.3	Ag	PLATED
2	COVER	1	ABS			UL-94HB(BLACK)
1	HOUSING	1	ABS			UL-94HB(BLACK)

LTR	PART NAME	QTY	MATERIAL	REMARK
DWN	LILY	DATE	2013.10.20	3RD ANGLE PROJECTION
CHKD	ANDY	DATE	2013.10.20	
APVD	JON	DATE	2013.10.20	
UNIT: mm				NAME
				PHONE JACK
				CAT. NO.
				PJD-064-04A
				DWN.NO.
				B-064-04
				001

UNLESS OTHERWISE SPECIFIED, TOLERANCE ON DECIMAL: ±0.3

JKCR Electronics Co., Ltd.