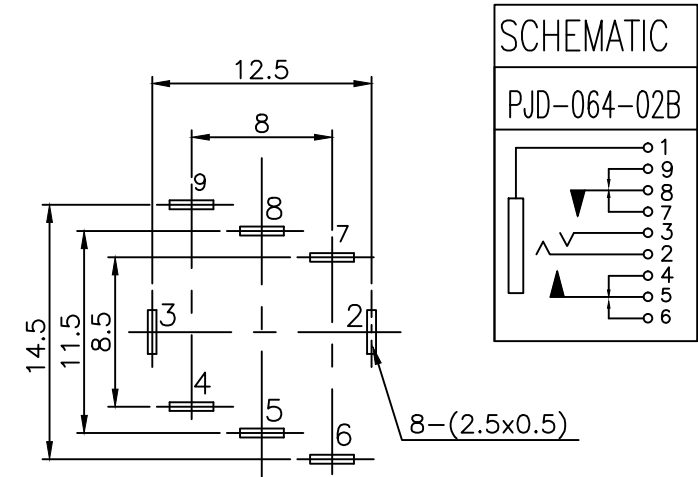
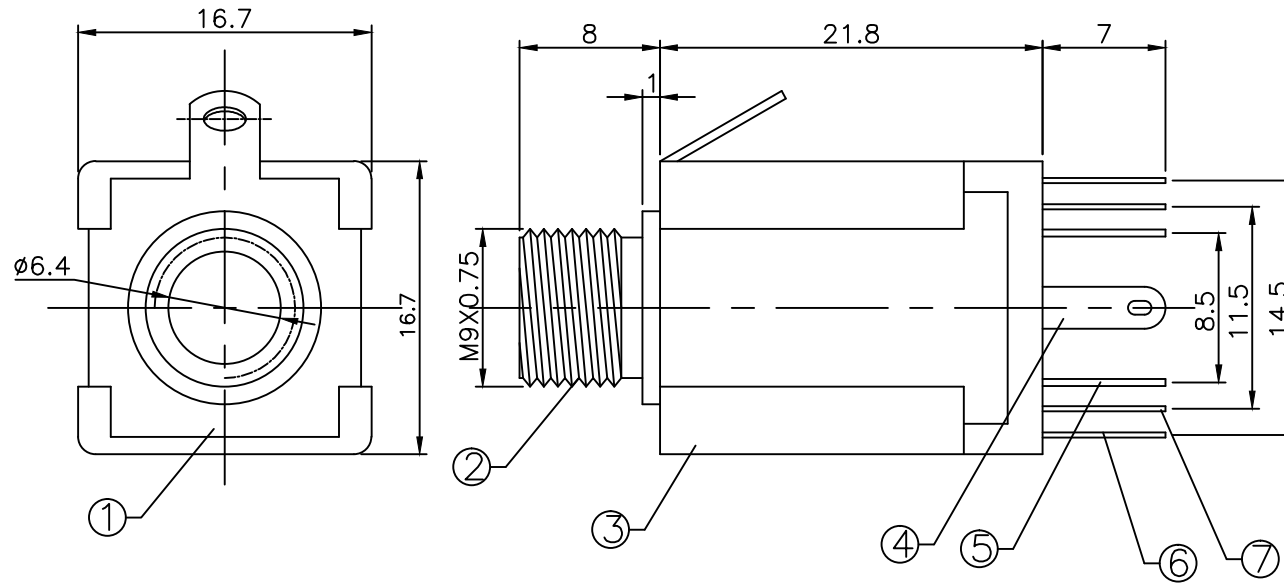
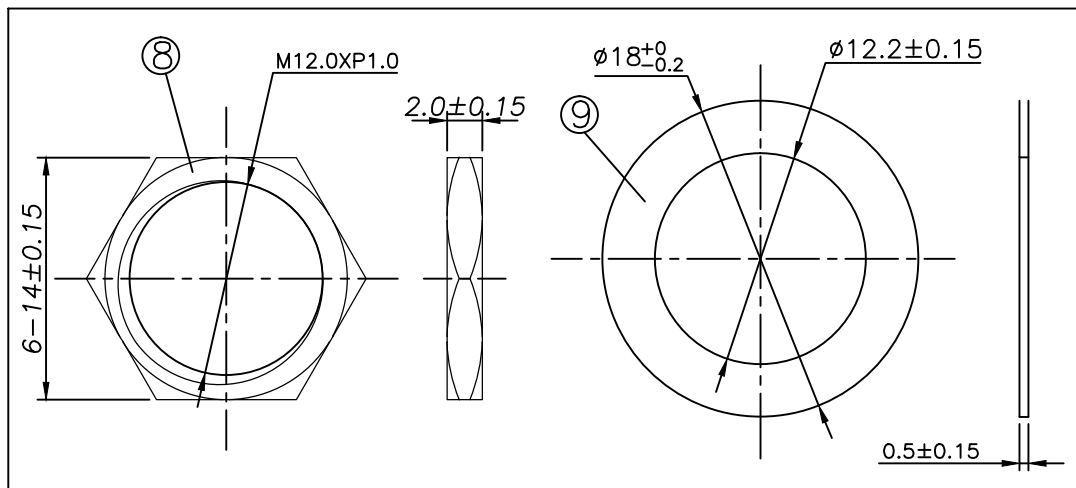


* RoHS COMPLIANT *

* REVISIONS				
LTR	DESCRIPTION	DATE	REVISED	APPROVED



T:1.6 Dimensions of PC board holes
Tolerance : ±0.05(Printed-top view)



UNLESS OTHERWISE SPECIFIED, TOLERANCE ON DECIMAL: ±0.3

9	PAD PIECE	1	SPCC	Ni PLATED
8	SLEEVE NUT	1	ZINC ALLOY	Cu/Sn PLATED
7	3# SPRING	2	C5191	Cu/Sn PLATED
6	2# SPRING	2	C5191	Cu/Sn PLATED
5	FLAT PIECE	2	C2680	Cu/Sn PLATED
4	1# SPRING	1	C5191	Cu/Sn PLATED
3	HOUSING	1	PBT	BLACK
2	AXIS SUPPORT	1	C2680	Ni PLATED
1	COAT	1	C2680	Ni PLATED
LTR	PART NAME	QTY	MATERIAL	REMARK
DWN	LILY	DATE	2017.12.19	3RD ANGLE PROJECTION NAME PHONE JACK CAT. NO. PJD-064-02B DWN.NO. B-064-02
CHKD	ANDY	DATE	2017.12.19	
APVD	JON	DATE	2017.12.19	
JKCR Electronics Co., Ltd.				001