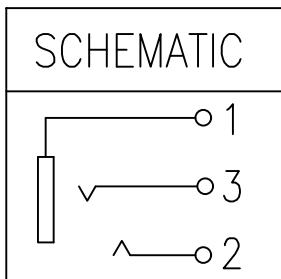
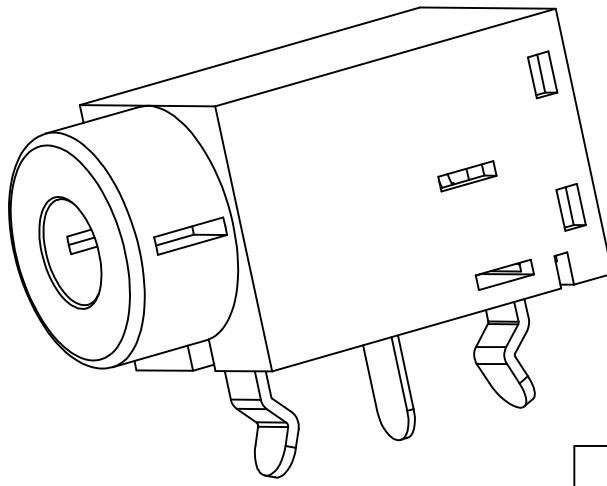
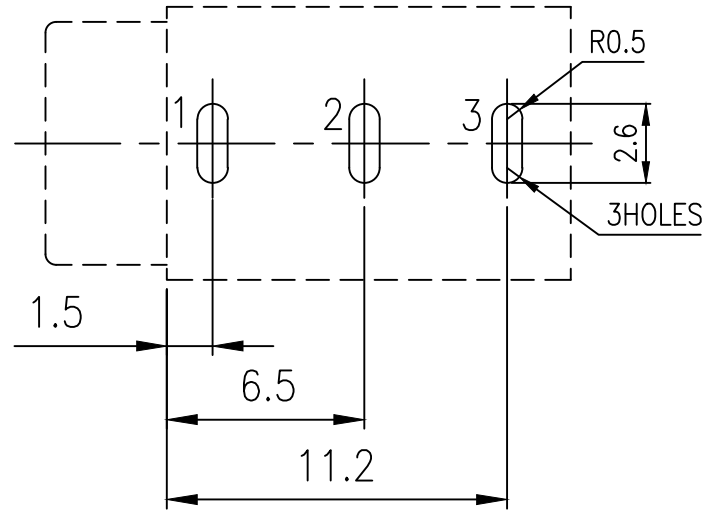
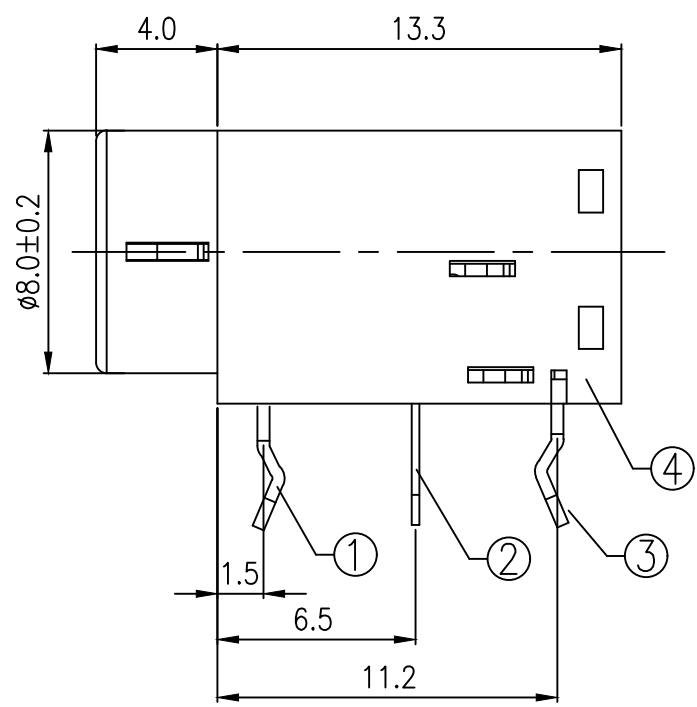
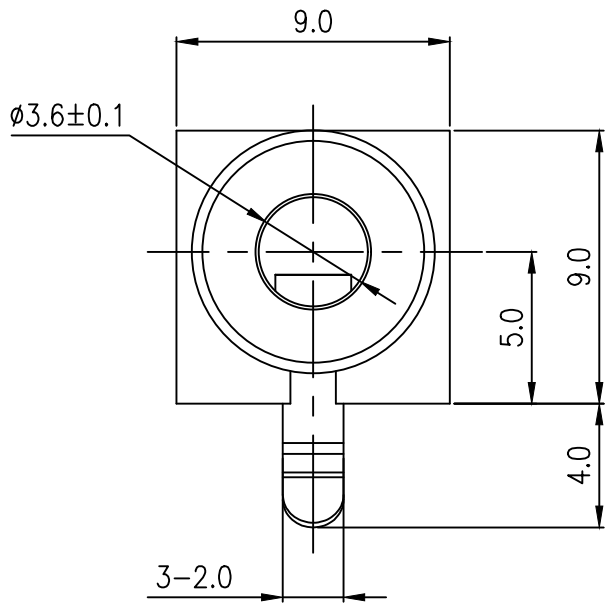


\* RoHS COMPLIANT \*

* REVISIONS				
LTR	DESCRIPTION	DATE	REVISED	APPROVED



T:1.6 Dimensions of PC board holes  
Tolerance : ±0.05(Printed-Top view)

MODEL NO.	HOUSING COLOR
PJD-035-97DB	BLACK

4	HOUSING	1	PBT	UL-94V0
3	RING SPRING	1	C5191 t=0.25	Sn PLATED
2	TIP SPRING	1	C2680 t=0.40	Sn PLATED
1	EARTH TERMINAL	1	C2680 t=0.40	Sn PLATED
LTR	PART NAME	QTY	MATERIAL	REMARK
DWN	LILY	DATE	2013.05.11	NAME MINIATURE JACK
CHKD	ANDY	DATE	2013.05.11	
APVD	JON	DATE	2013.05.11	
				CAT. NO. PJD-035-97DB
JKCR Electronics Co., Ltd.				DWN.NO. A-035-97
				001

UNLESS OTHERWISE SPECIFIED, TOLERANCE ON DECIMAL: ±0.3