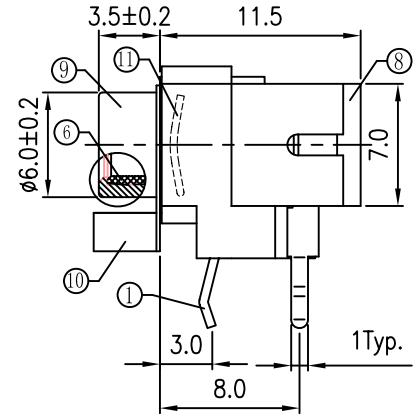
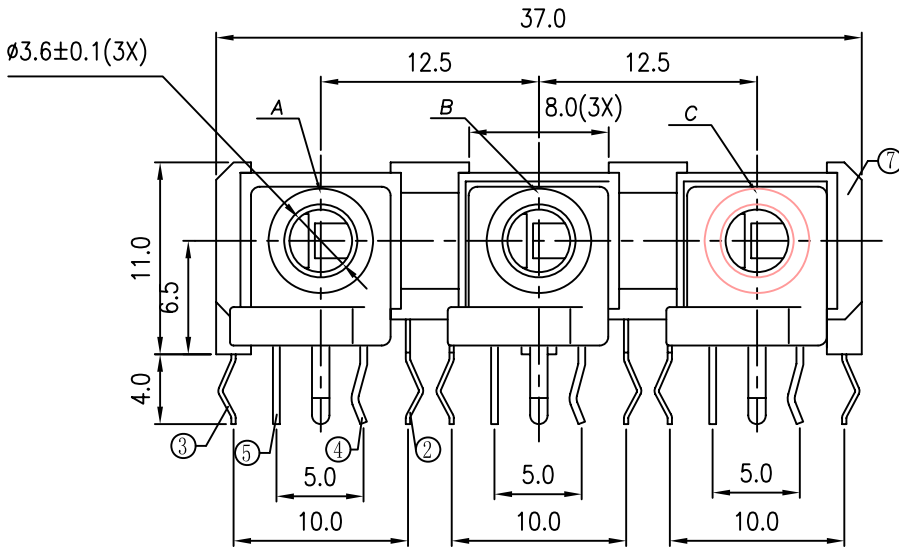
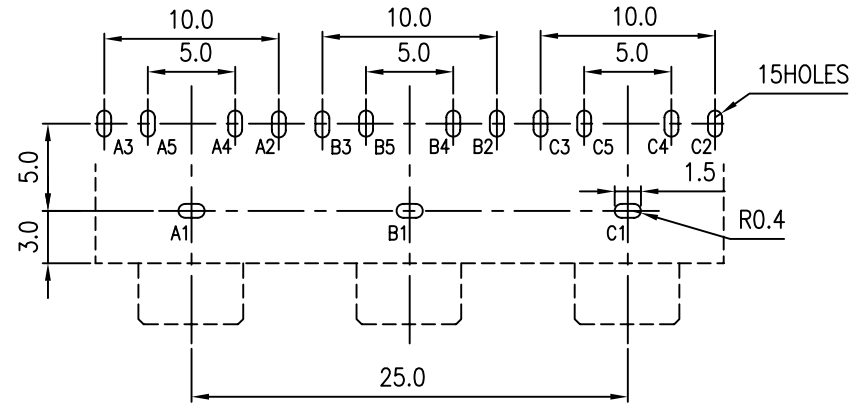


* REVISIONS				
LTR	DESCRIPTION	DATE	REVISED	APPROVED



SCHEMATIC	A	B	C
PJD-035-95ZSA01			

PJD-035-95ZSA01	GERRN	BLUE	PINK
BUSHING "9ITEM"	A	B	C



T:1.6 Dimensions of PC board holes
Tolerance : ±0.05(Printed-Top view)

UNLESS OTHERWISE SPECIFIED, TOLERANCE ON DECIMAL: ±0.3

LEAD FREE

11	SPRING	3	SWC	$\phi 0.40$	Ni PLATED
10	SPRING PIECE	3	SUS301	t=0.20	
9	BUSHING	3	PBT 4815		
8	COVER	3	PBT 4815		UL-94V0(BLACK)
7	HOUSING	1	PA66		BLACK
6	BUSHING	3	H59(COPPER ALLOY)		Ni PLATED
5	SHUNT TERMINAL	3	C2680	t=0.40	Sn PLATED
4	SHUNT TERMINAL	3	C2680	t=0.40	Sn PLATED
3	RING SPRING	3	C5191	t=0.25	Sn PLATED
2	TIP SPRING	3	C5191	t=0.30	Sn PLATED
1	EARTH TERMINAL	3	C2680	t=0.50	Sn PLATED

LTR	PART NAME		QTY	MATERIAL		REMARK
DWN	LILY	DATE	2009.04.30	3RD ANGLE PROJECTION	NAME MINIATURE JACK	
CHKD	ANDY	DATE	2009.04.30		CAT. NO. PJD-035-95ZSA01	
APVD	JON	DATE	2009.04.30		UNIT: mm	DWN.NO. F-035-95
JKCR Electronics Co., Ltd.						001