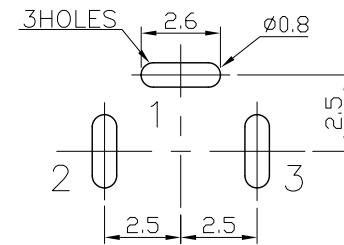
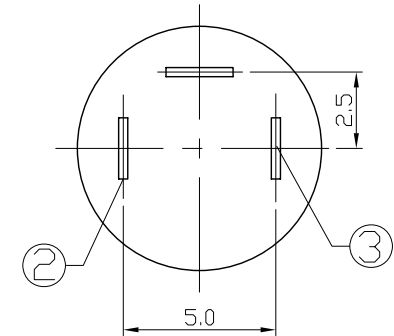
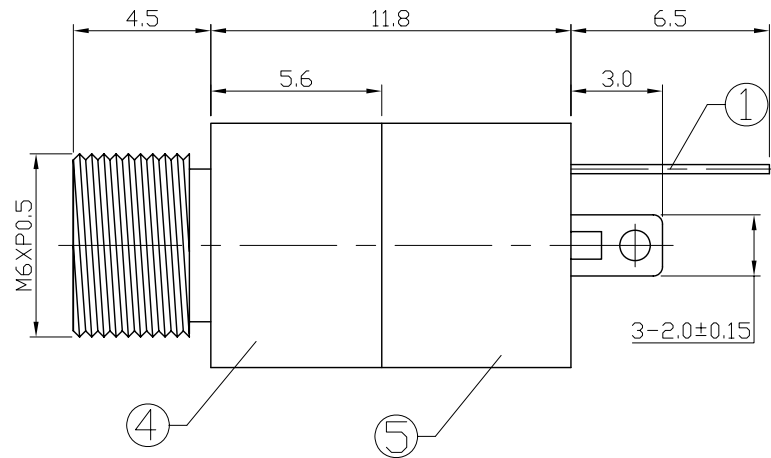
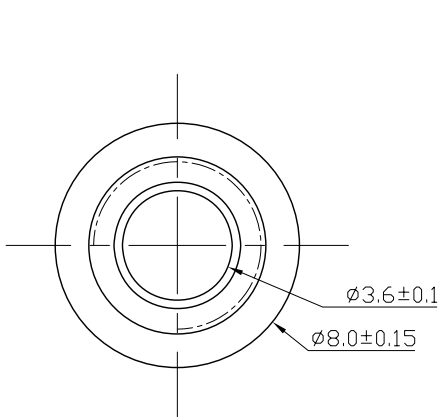
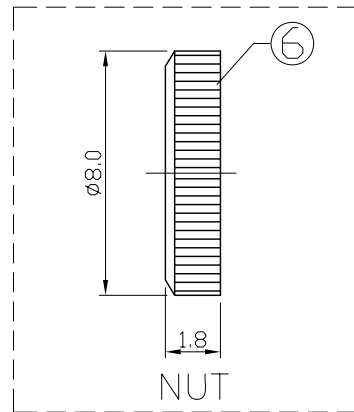
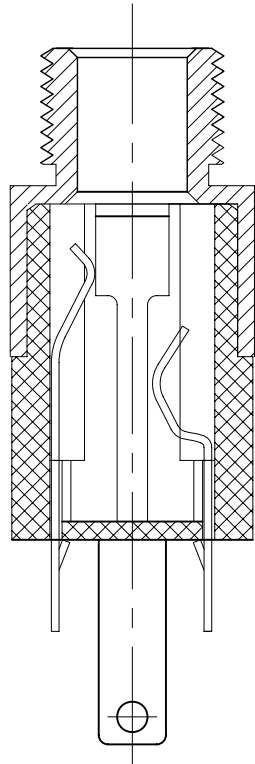
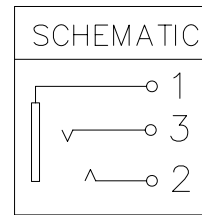


* REVISIONS				
LTR	DESCRIPTION	DATE	REVISED	APPROVED



T:1.6 Dimensions of PC board holes  
Tolerance :  $\pm 0.05$ (Printed-Top view)



## LEAD FREE

6	NUT	1	H59(COPPER ALLOY)	Ni PLATED
5	HOUSING	1	PBT 4815	UL-94V0(BLACK)
4	AXIS SURPPTOR	1	H59(COPPER ALLOY)	Ni PLATED
3	RING SPRING	1	C5191 t=0.30	Ag PLATED
2	TIP SPRING	1	C5191 t=0.30	Ag PLATED
1	EARTH SPRING	1	C2680 t=0.30	Ag PLATED
LTR	PART NAME	QTY	MATERIAL	REMARK

DWN	LILY	DATE	2013.09.26	3RD ANGLE PROJECTION	NAME	MINIATURE JACK
CHKD	ANDY	DATE	2013.09.26		CAT. NO.	PJD-035-77D
APVD	JON	DATE	2013.09.26	UNIT: mm	DWN.NO.	F-035-77
JKCR Electronics Co., Ltd.						001

UNLESS OTHERWISE SPECIFIED, TOLERANCE ON DECIMAL:  $\pm 0.3$