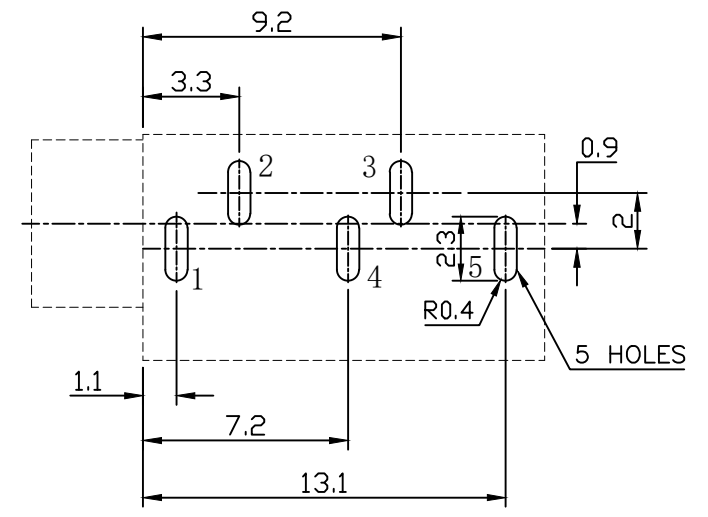
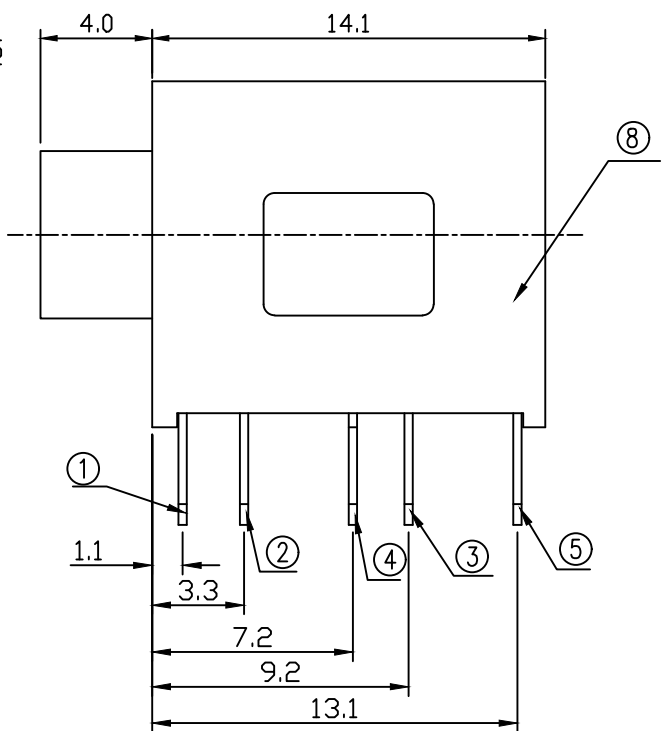
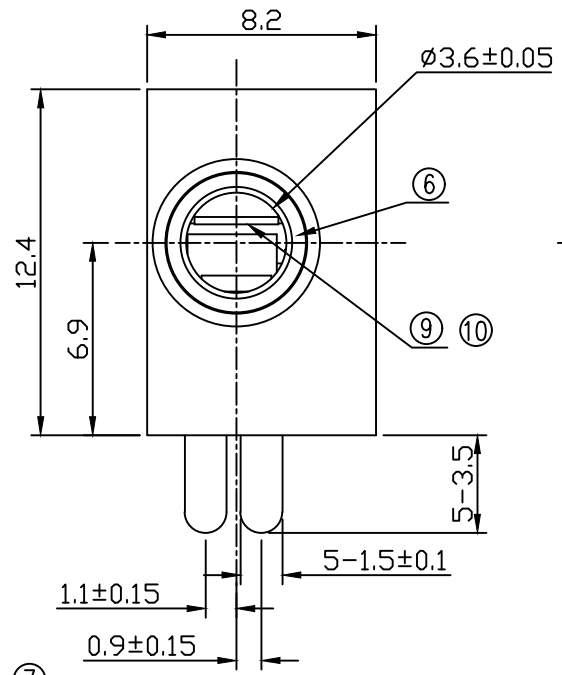
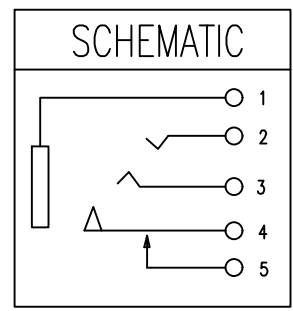
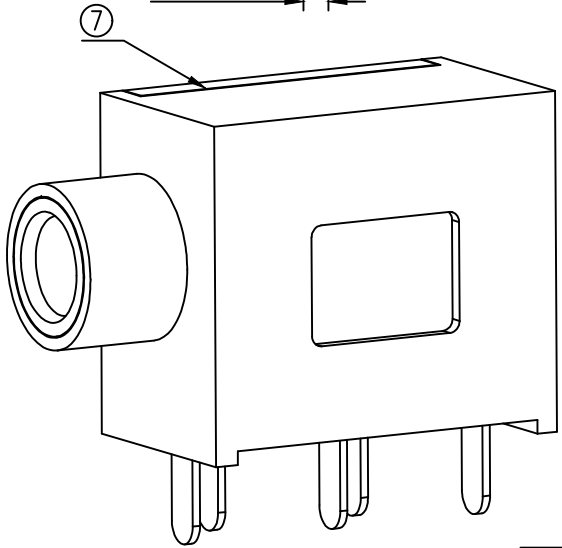


* REVISIONS				
LTR	DESCRIPTION	DATE	REVISED	APPROVED



T:1.6 Dimensions of PC board holes
Tolerance : ±0.05(Printed-top view)



MODEL NO.	COLOR
PJD-035-75AB	BLACK

LEAD FREE

10	SPRING	2	SWC	
9	KNOB	1	POM	
8	HOUSING	1	PBT 4815	UL-94V0
7	COVER	1	PBT 4815	UL-94V0
6	SOCKET	1	H59(COPPER ALLOY)	Ni PLATED
5	TERMINAL	1	C5191 t=0.30	Ag PLATED
4	TERMINAL	1	C5191 t=0.30	Ag PLATED
3	TERMINAL	1	C5191 t=0.30	Ag PLATED
2	TERMINAL	1	C5191 t=0.25	Ag PLATED
1	TERMINAL	1	C2680 t=0.40	Ag PLATED

LTR	PART NAME	QTY	MATERIAL	REMARK
DWN	LILY	DATE	2015.05.23	3RD ANGLE PROJECTION NAME MINIATURE JACK CAT. NO. PJD-035-75AB
CHKD	ANDY	DATE	2015.05.23	
APVD	JON	DATE	2015.05.23	

UNLESS OTHERWISE SPECIFIED, TOLERANCE ON DECIMAL: ±0.3

JKCR Electronics Co., Ltd.

DWN.NO. A-035-75 001