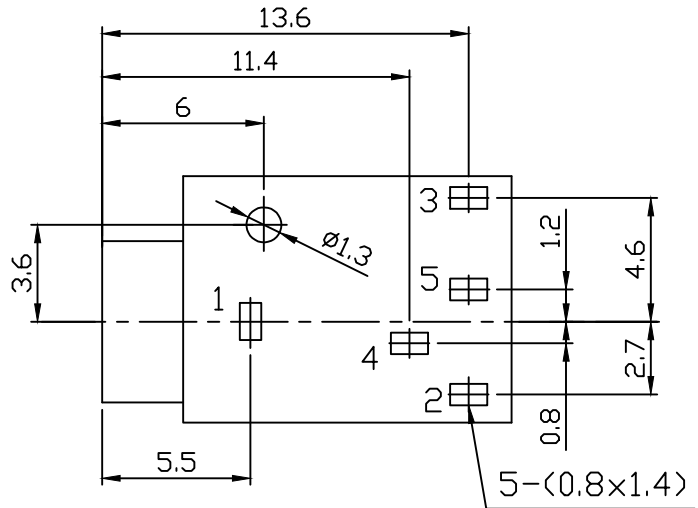
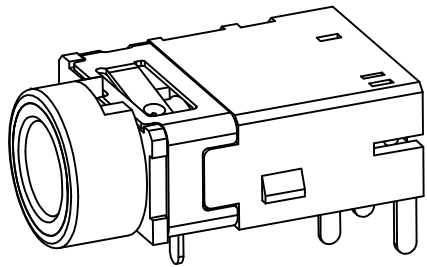
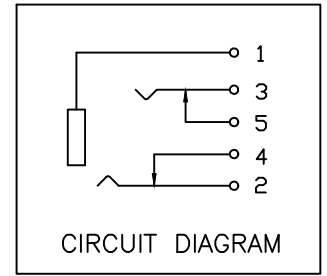
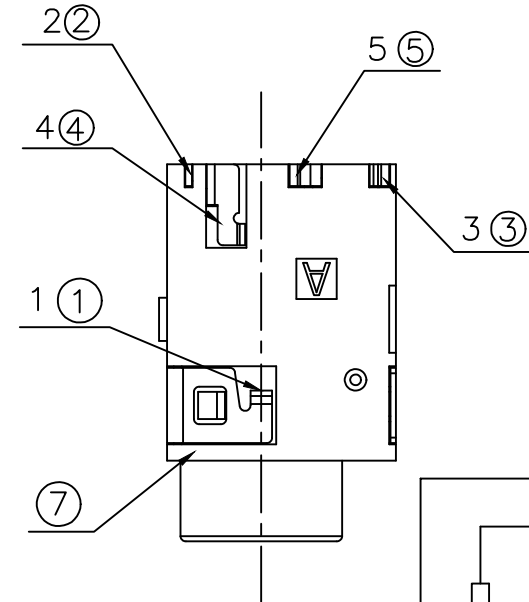
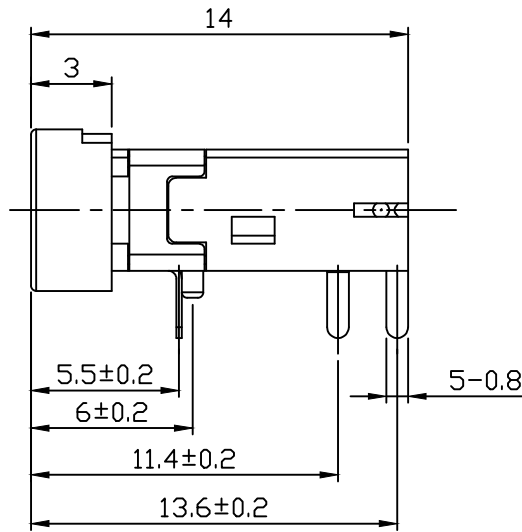
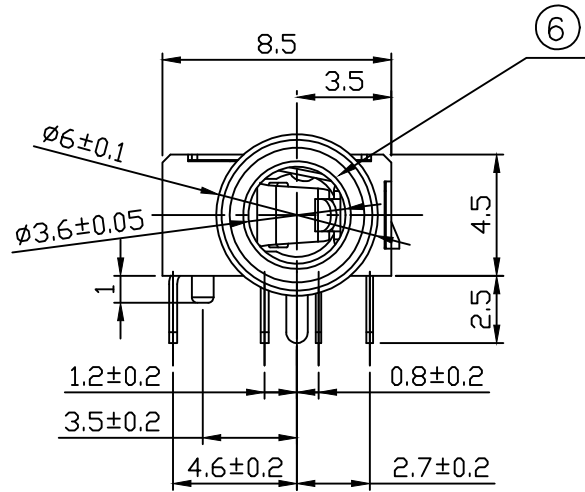


RoHS COMPLIANT *

| REVISIONS | | | | |
|-----------|-------------|------|---------|----------|
| LTR | DESCRIPTION | DATE | REVISED | APPROVED |
| | | | | |



T:1.6 Dimensions of PC board holes

Tolerance : ±0.1(Printed-TOP view)

UNLESS OTHERWISE SPECIFIED, TOLERANCE ON DECIMAL: ±0.3

| | | | | |
|----------------------------|--------------|------|-------------------|-------------------------|
| 7 | HUOSING | 1 | PA9T | |
| 6 | AXIS SUPPORT | 1 | H59(COPPER ALLOY) | Ni PLATED |
| 5 | TERMINAL 5 | 1 | C2680 t=0.30 | Ag PLATED |
| 4 | TERMINAL 4 | 1 | C2680 t=0.20 | Ag PLATED |
| 3 | TERMINAL 3 | 1 | C5191 t=0.30 | Ag PLATED |
| 2 | TERMINAL 2 | 1 | C5191 t=0.25 | Ag PLATED |
| 1 | TERMINAL 1 | 1 | C5191 t=0.20 | Ag PLATED |
| LTR | PART NAME | QTY | MATERIAL | REMARK |
| DWN | LILY | DATE | 2006.09.07 | NAME MINIATURE JACK |
| CHKD | ANDY | DATE | 2006.09.07 | 3RD ANGLE PROJECTION |
| APVD | JON | DATE | 2006.09.07 | CAT.NO. PJD-035-73A |
| JKCR Electronics Co., Ltd. | | | | DWN.NO. A-035-73 |
| | | | | 001 |