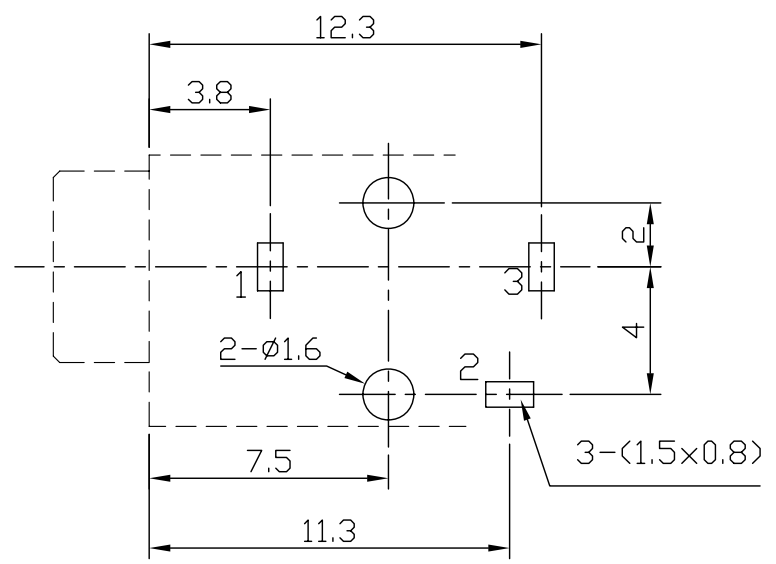
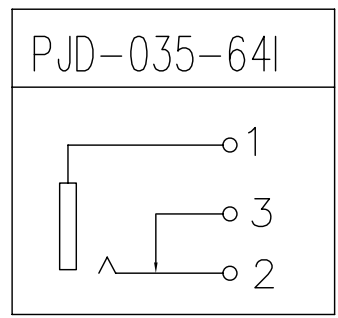
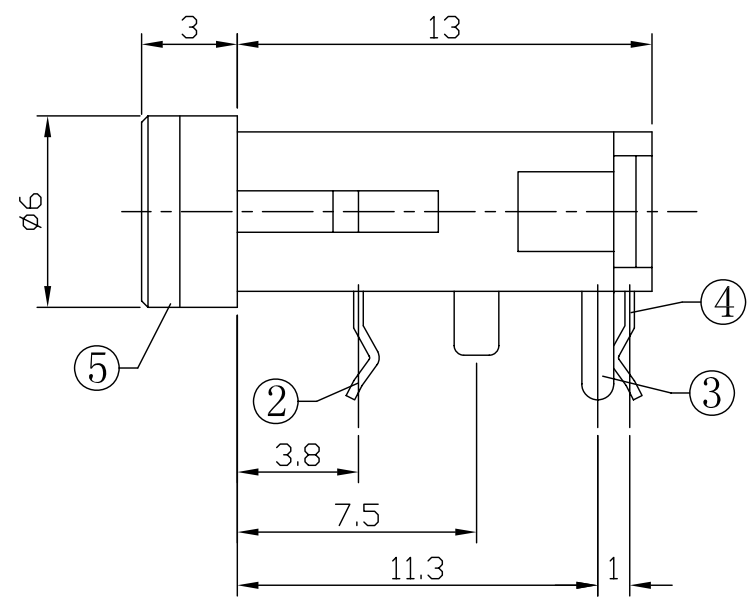
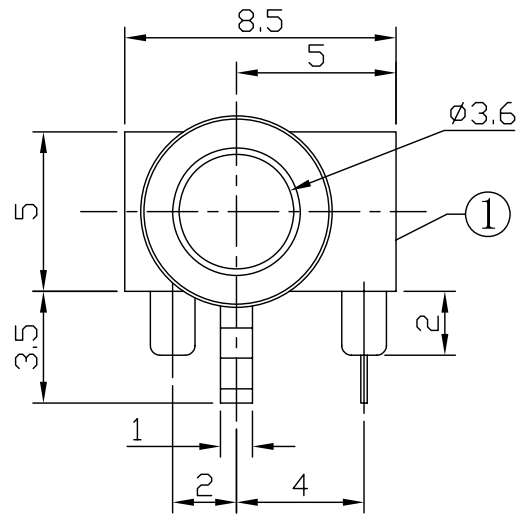


* REVISIONS				
LTR	DESCRIPTION	DATE	REVISED	APPROVED



### LEAD FREE

5	AXIS SUPPORTI	1	H59(COPPER ALLOY)	Ni PLATED
4	CURVE PIECE	1	C2680	Sn PLATED
3	SPRING PIECE	1	C5191	Sn PLATED
2	CONTACT FOOT	1	C5191	Sn PLATED
1	HOUSING	1	PBT 4815	UL-94V0(BLACK)

LTR	PART NAME	QTY	MATERIAL	REMARK
DWN	LILY	DATE	2014.04.07	3RD ANGLE PROJECTION NAME MINIATURE JACK
CHKD	ANDY	DATE	2014.04.07	
APVD	JON	DATE	2014.04.07	
UNIT: mm				CAT. NO. PJD-035-64I
JKCR Electronics Co., Ltd.				DWN.NO. F-035-64

T:1.6 Dimensions of PC board holes  
Tolerance : ±0.05(Printed-top view)

UNLESS OTHERWISE SPECIFIED, TOLERANCE ON DECIMAL: ±0.3