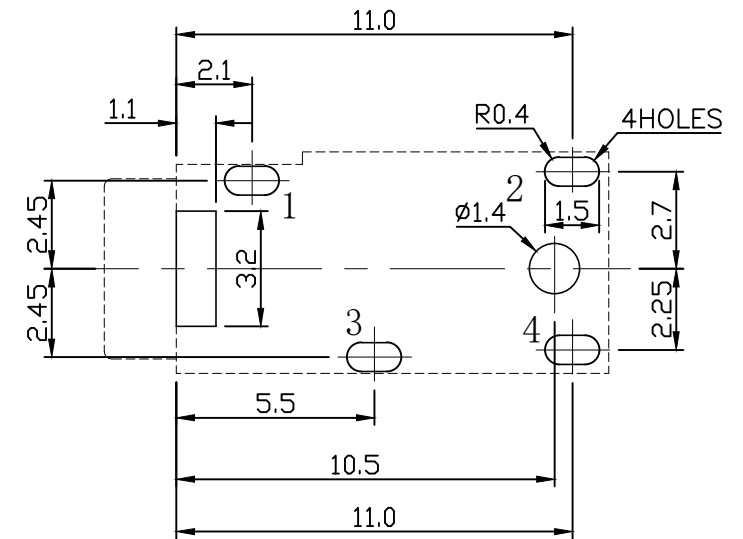
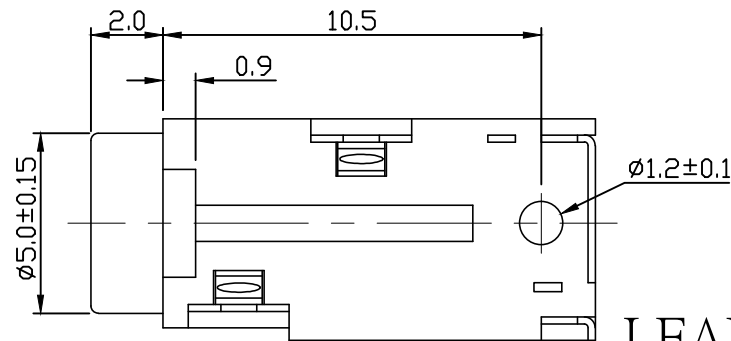
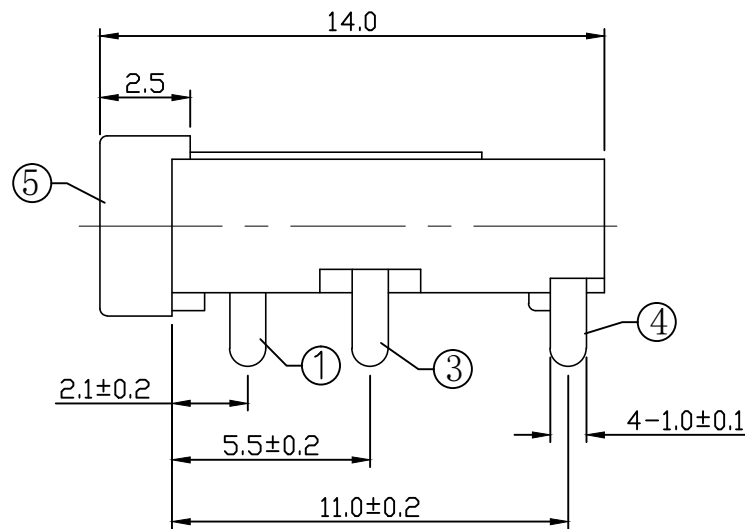
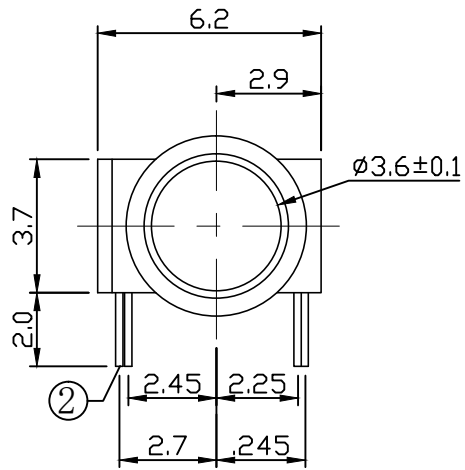
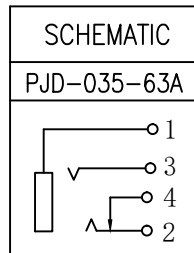


* REVISIONS				
LTR	DESCRIPTION	DATE	REVISED	APPROVED



T:1.6 Dimensions of PC board holes
Tolerance : ± 0.1 (Printed-top view)



LEAD FREE

5	HOUSING	1	PA9T	UL-94V0(BLACK)
4	CURVE PIECE	1	C2680	t=0.25 Ag PLATED
3	SPRING	1	C5191	t=0.20 Ag PLATED
2	CONTACT FOOT	1	BeCu	t=0.25 Ag PLATED
1	CONTACT FOOT	1	C5191	t=0.20 Ag PLATED

LTR	PART NAME	QTY	MATERIAL	REMARK
DWN	LILY	DATE	2015.08.12	3RD ANGLE PROJECTION
CHKD	ANDY	DATE	2015.08.12	NAME
APVD	JON	DATE	2015.08.12	CAT. NO.

JKCR Electronics Co., Ltd.

DWN.NO. F-035-63 002

UNLESS OTHERWISE SPECIFIED, TOLERANCE ON DECIMAL: ± 0.3