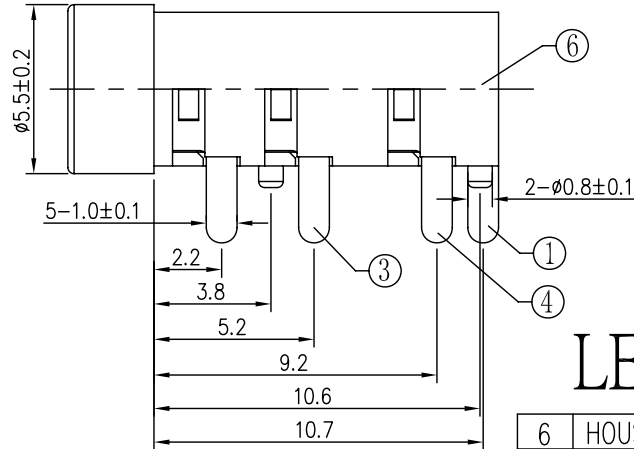
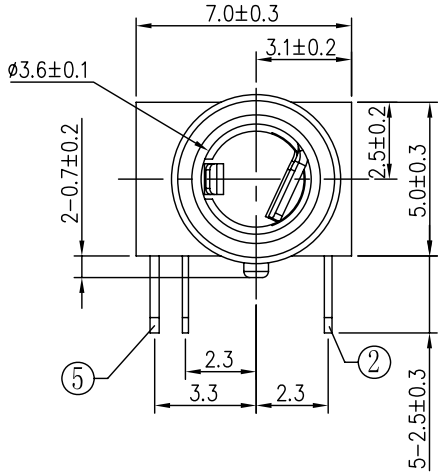
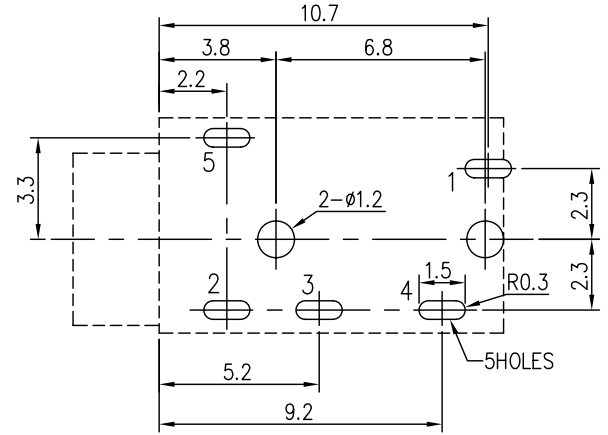
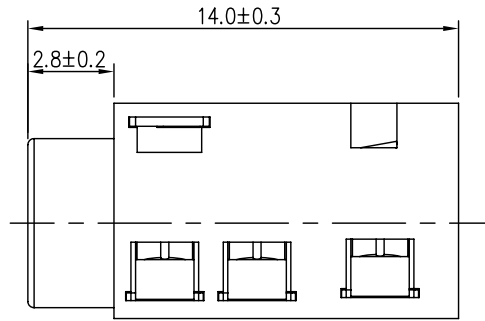
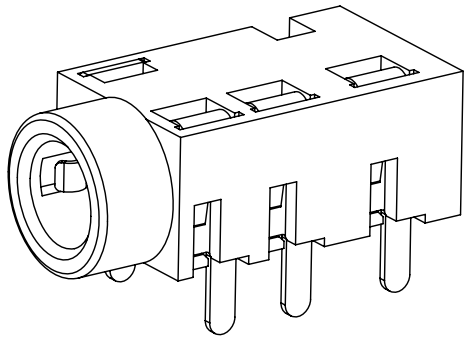
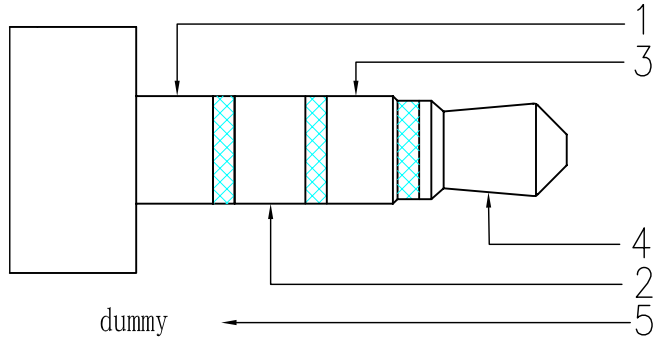
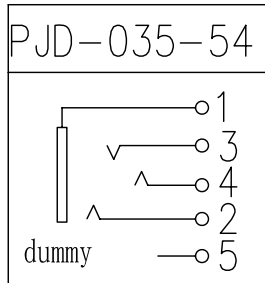


* REVISIONS				
LTR	DESCRIPTION	DATE	REVISED	APPROVED



T:1.6 Dimensions of PC board holes
Tolerance : ±0.05(Printed-top view)

LEAD FREE



UNLESS OTHERWISE SPECIFIED, TOLERANCE ON DECIMAL:±0.3

6	HOUSING	1	PA66		BLACK
5	DUMMY FOOT	1	C2680	t=0.30	Ag PLATED
4	CONTACT FOOT	1	C5191	t=0.25	Ag PLATED
3	CONTACT FOOT	1	C5191	t=0.25	Ag PLATED
2	CONTACT FOOT	1	C5191	t=0.25	Ag PLATED
1	SPRING FOOT	1	C5191	t=0.20	Ag PLATED
LTR	PART NAME	QTY	MATERIAL		REMARK
DWN	LILY	DATE	2013.04.29	3RD ANGLE PROJECTION	NAME MINIATURE JACK
CHKD	ANDY	DATE	2013.04.29		CAT. NO. PJD-035-54
APVD	JON	DATE	2013.04.29		UNIT: mm
JKCR Electronics Co., Ltd.					001