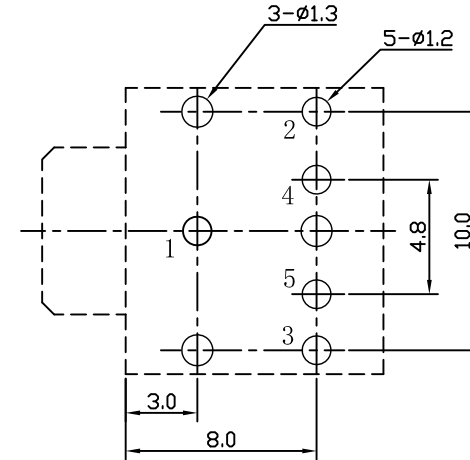
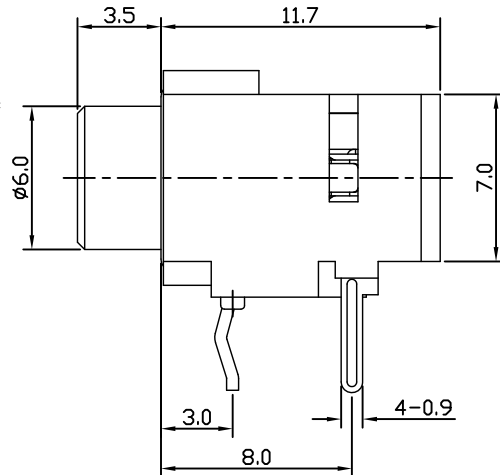
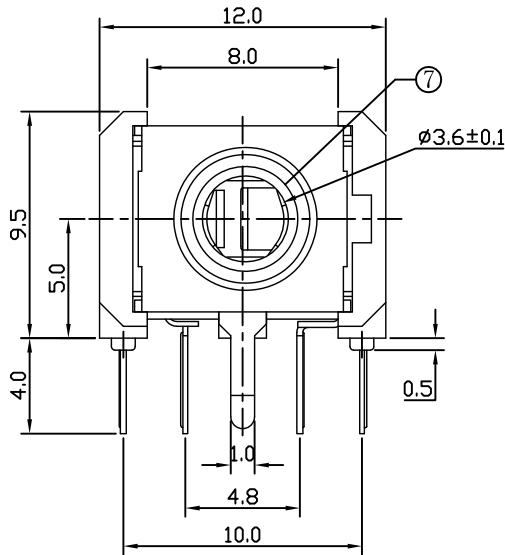
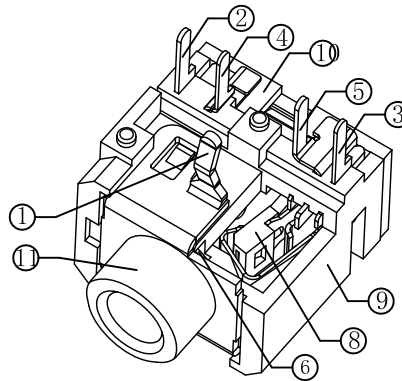
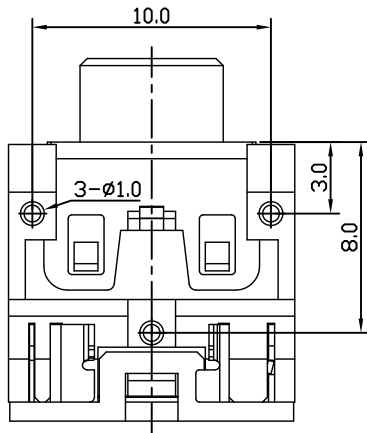


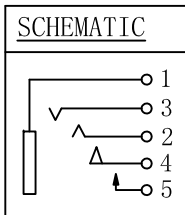
* RoHS COMPLIANT *



T:1.6 Dimensions of PC board holes
Tolerance : ±0.1(Printed-top view)



MODEL NO.	HEAD COLOR
PJD-035-52SA01	GREEN



UNLESS OTHERWISE SPECIFIED, TOLERANCE ON DECIMAL:±0.3

* REVISIONS				
LTR	DESCRIPTION	DATE	REVISED	APPROVED

11	PLASTIC RING	1	PBT 4815	UL-94V0
10	COVER	1	PBT 4815	UL-94V0(BLACK)
9	HOUSING	1	PBT 4815	UL-94V0(BLACK)
8	INSULATOR	1	PA66	UL-94HB(BLACK)
7	AXIS SUPPORT	1	H59	Ni PLATED
6	SPRING	1	SWC φ0.40	
5	MAKE TERMINAL	1	C5191 t=0.25	Ag PLATED
4	TRANSFER TERMINA	1	SUS301 t=0.20	Ag PLATED
3	RING SPRING	1	SUS301 t=0.20	Ag PLATED
2	TIP SPRING	1	C5191 t=0.25	Ag PLATED
1	EARTH TERMINAL	1	C2680 t=0.50	Sn PLATED
LTR	PART NAME	QTY	MATERIAL	REMARK

DWN	LILY	DATE	2013.09.16	3RD ANGLE PROJECTION	NAME MINIATURE JACK
CHKD	ANDY	DATE	2013.09.16		
APVD	JON	DATE	2013.09.16		
UNIT: mm				CAT. NO. PJD-035-52SA01	
JKCR Electronics Co., Ltd.				DWN.NO. F-035-52 001	