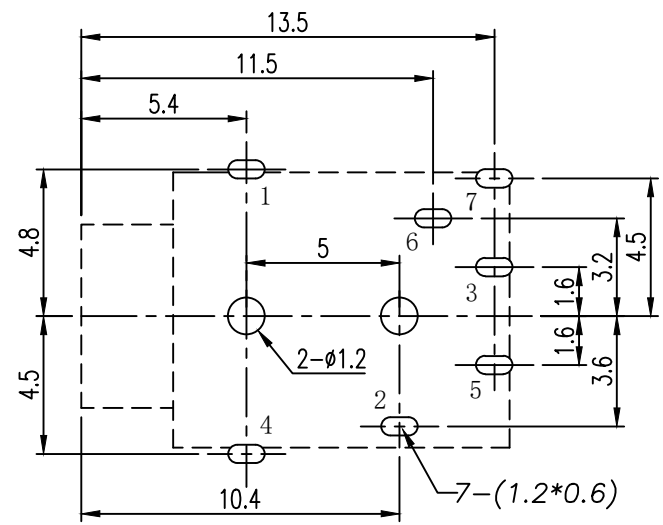
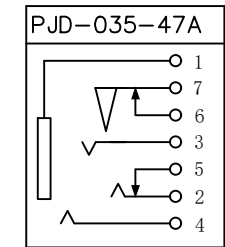
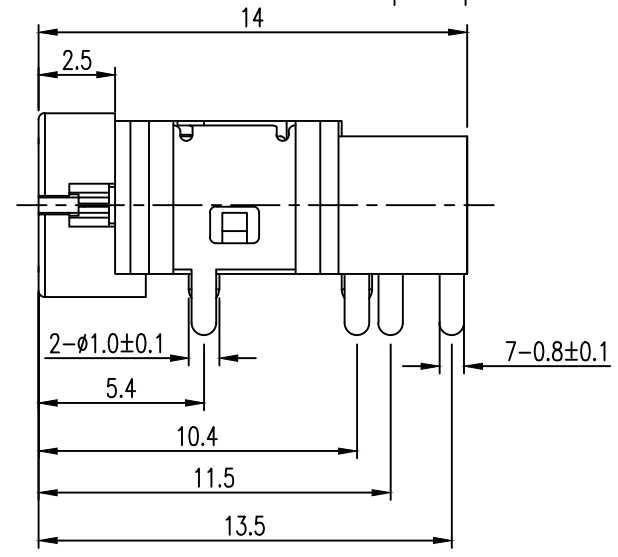
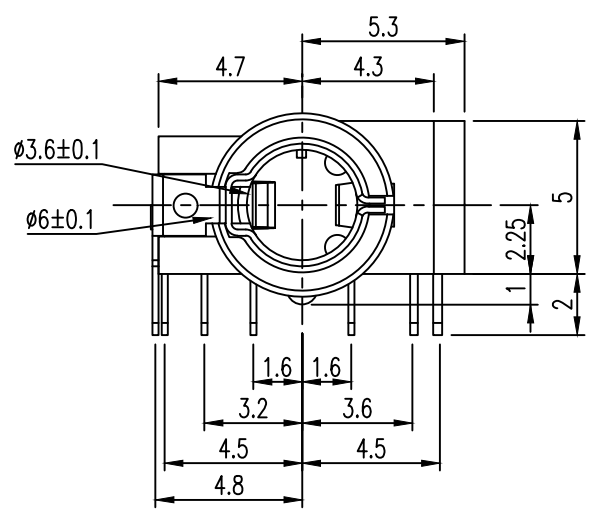
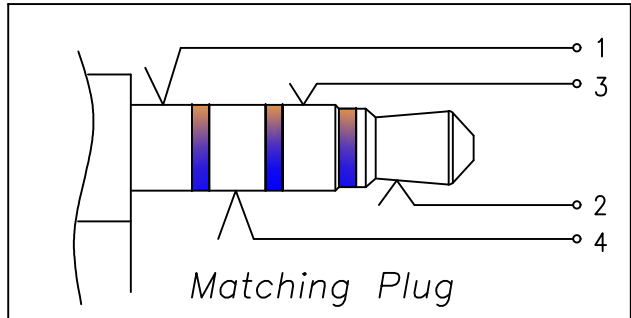
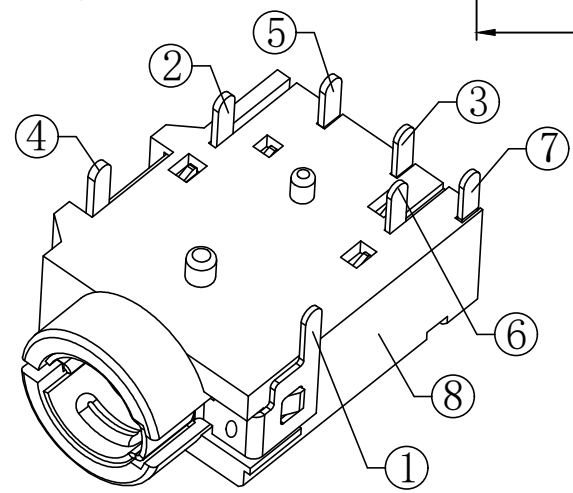


		* REVISIONS		
LTR	DESCRIPTION	DATE	REVISED	APPROVED



T:1.6 Dimensions of PC board holes  
Tolerance : ±0.05(Printed-top view)



UNLESS OTHERWISE SPECIFIED, TOLERANCE ON DECIMAL:±0.3

LEAD FREE

QTY	DESCRIPTION	MATERIAL	REMARK
8	HOUSING	1 PA66	BLACK
7	TRANSFER TERMINAL	1 C5191 t=0.20	Ag PLATED
6	BREAK TERMINAL	1 C5191 t=0.20	Ag PLATED
5	SHUNT TERMINAL	1 C2680 t=0.25	Ag PLATED
4	RING SPRING	1 C5191 t=0.30	Ag PLATED
3	RING SPRING	1 C5191 t=0.20	Ag PLATED
2	TIP SPRING	1 C5191 t=0.25	Ag PLATED
1	EARTH SPRING	1 C5191 t=0.20	Au PLATED

LTR	PART NAME	QTY	MATERIAL	REMARK
DWN	LILY	DATE	2013.06.07	3RD ANGLE PROJECTION NAME MINIATURE JACK CAT. NO. PJD-035-47A
CHKD	ANDY	DATE	2013.06.07	
APVD	JON	DATE	2013.06.07	