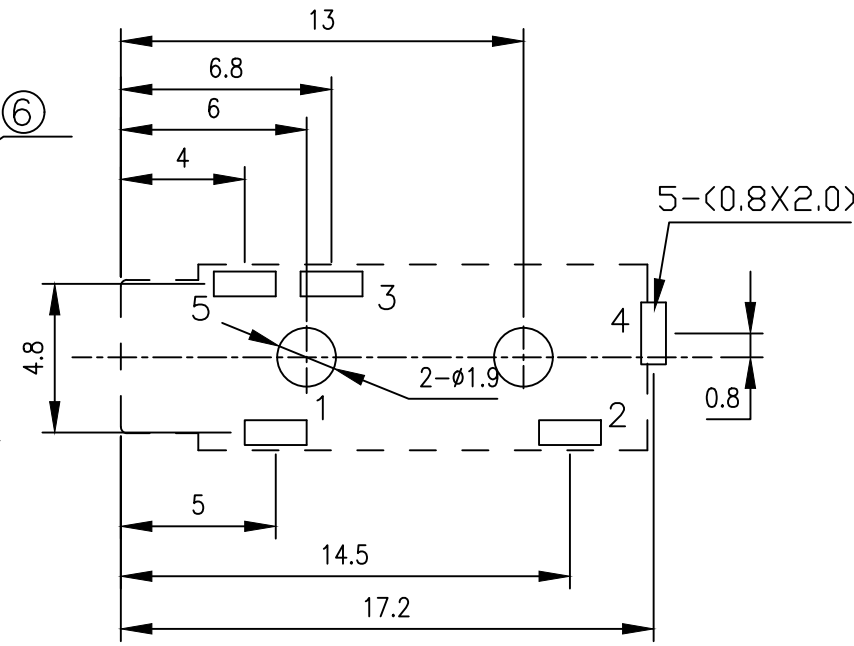
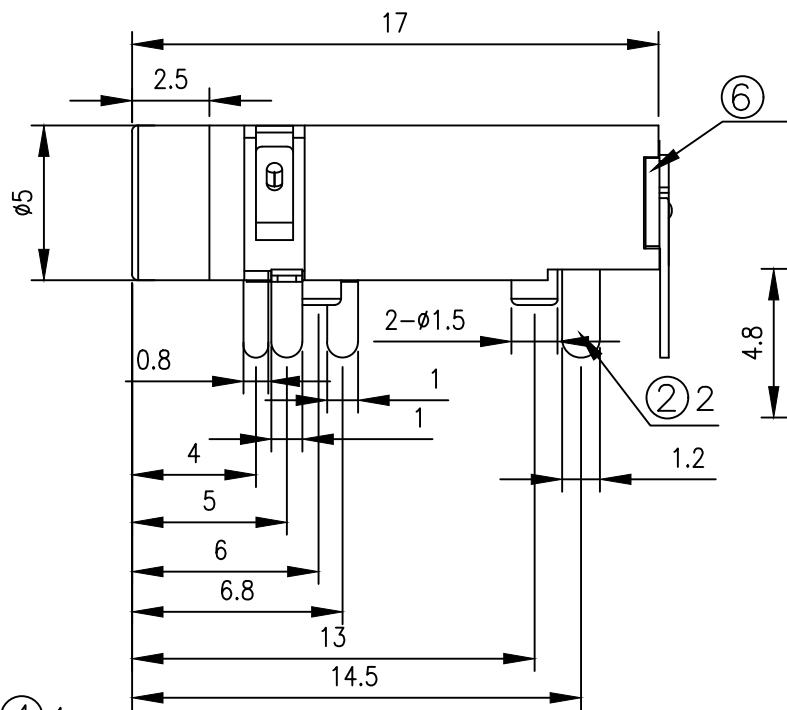
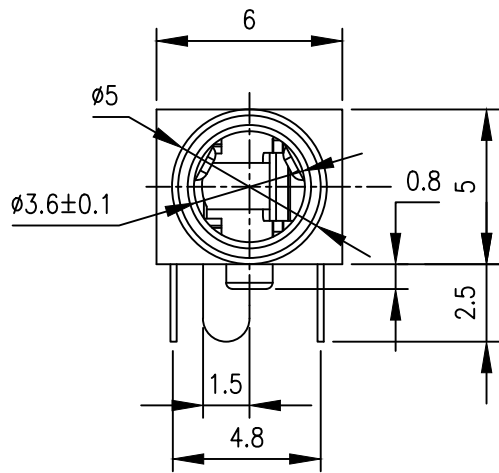
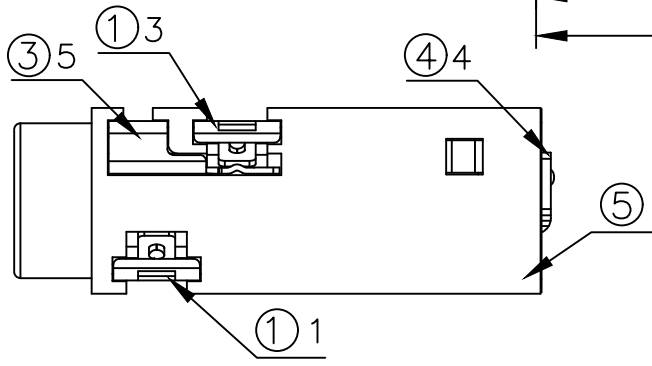


* REVISIONS				
LTR	DESCRIPTION	DATE	REVISED	APPROVED



T:1.6 Dimensions of PC board holes
Tolerance : ±0.05(Printed-top view)



LEAD FREE

SCHEMATIC				
PJD-035-43A	PJD-035-43B	PJD-035-43C	PJD-035-43D	PJD-035-43I

UNLESS OTHERWISE SPECIFIED, TOLERANCE ON DECIMAL: ±0.3

⑥	COVER	1	PA9T	UL-94V0(BLACK)
⑤	HOUSING	1	PA9T	UL-94V0(BLACK)
④	TERMINAL 4#	1	C2680 t=0.3	Ag PLATED
③	TERMINAL 5#	1	C2680 t=0.2	Ag PLATED
②	TERMINAL 2#	1	C5191 t=0.3	Ag PLATED
①	TERMINAL 1#	2	C5191 t=0.2	Ag PLATED
LTR	PART NAME	QTY	MATERIAL	REMARK
DWN	LILY	DATE	2013.04.22	3RD ANGLE PROJECTION NAME MINIATURE JACK CAT. NO. PJD-035-43 DWN.NO. A-035-43
CHKD	ANDY	DATE	2013.04.22	
APVD	JON	DATE	2013.04.22	
JKCR Electronics Co., Ltd.				001