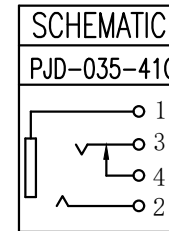
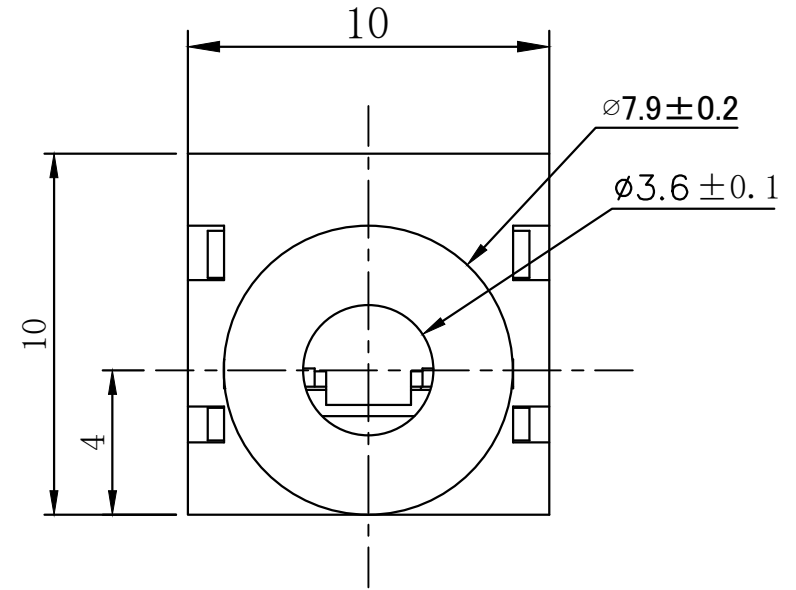
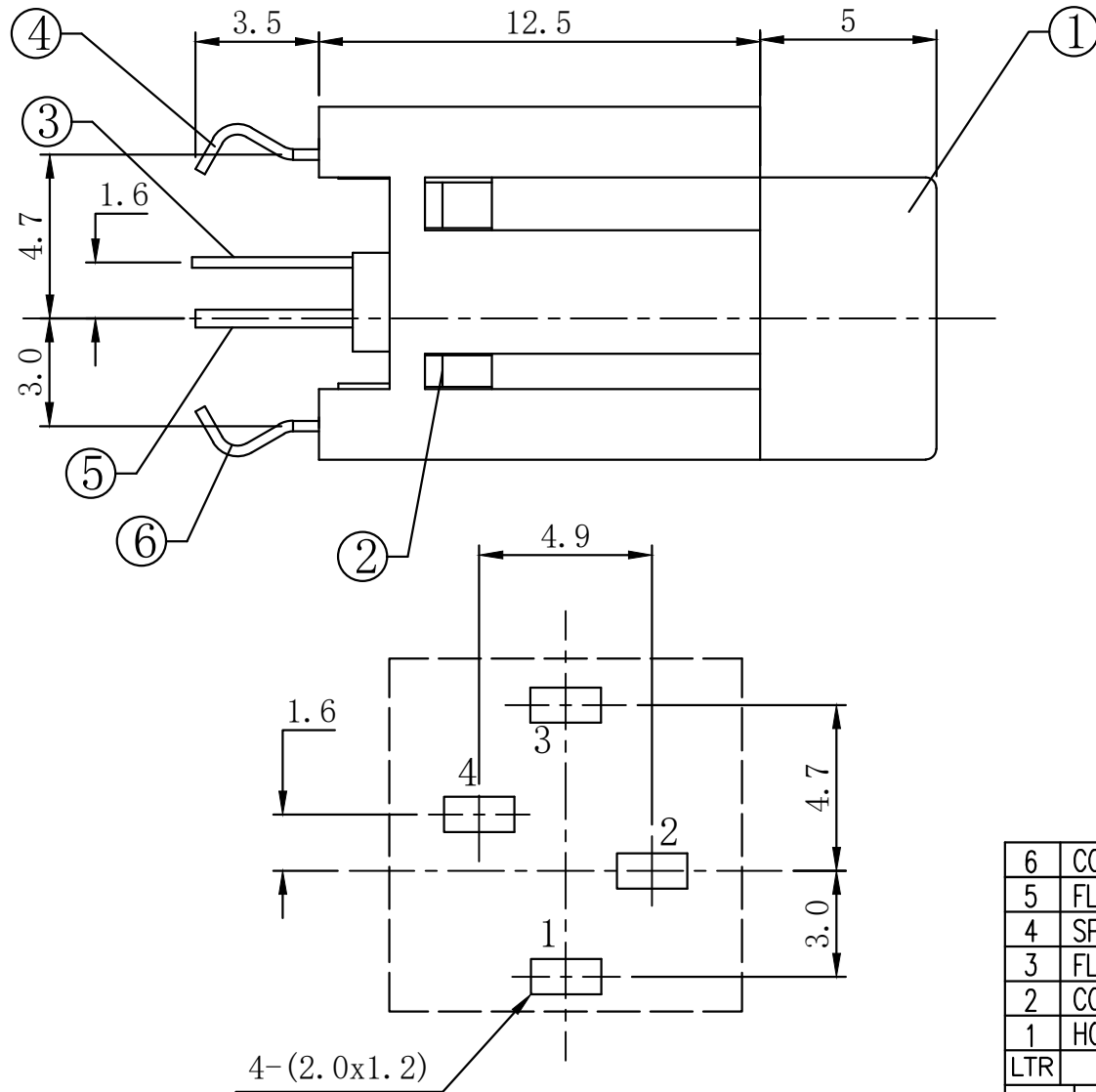


* RoHS COMPLIANT *

* REVISIONS				
LTR	DESCRIPTION	DATE	REVISED	APPROVED



6	CONTACT FOOT	1#	1	C5191	Ag PLATED
5	FLAT PIECE	2#	1	C2680	Ag PLATED
4	SPRING PIECE	3#	1	C5191	Ag PLATED
3	FLAT PIECE	4#	1	C2680	Ag PLATED
2	COVER		1	PBT 4815	UL-94V0(BLACK)
1	HOUSING		1	PBT 4815	UL-94V0(BLACK)

LTR	PART NAME	QTY	MATERIAL	REMARK
DWN	LILY	DATE	2015.07.13	3RD ANGLE PROJECTION NAME MINIATURE JACK CAT. NO. PJD-035-41C DWN.NO. A-035-41
CHKD	ANDY	DATE	2015.07.13	
APVD	JON	DATE	2015.07.13	

T:1.6 Dimensions of PC board holes
Tolerance : ±0.05(Printed-top view)

UNLESS OTHERWISE SPECIFIED, TOLERANCE ON DECIMAL: ±0.3

JKCR Electronics Co., Ltd.

001