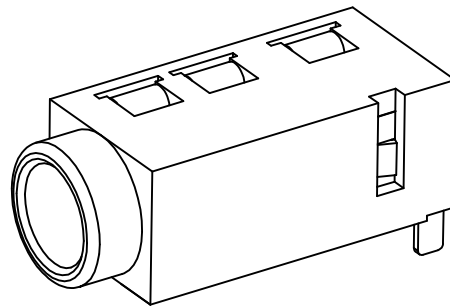
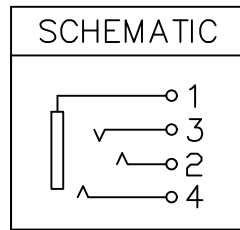
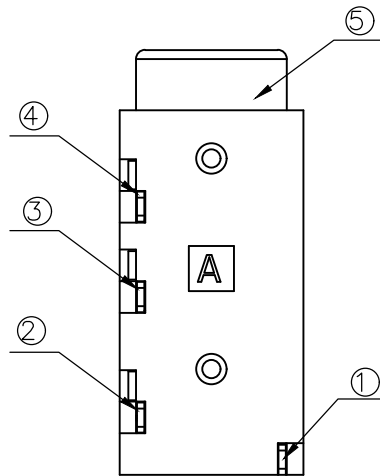
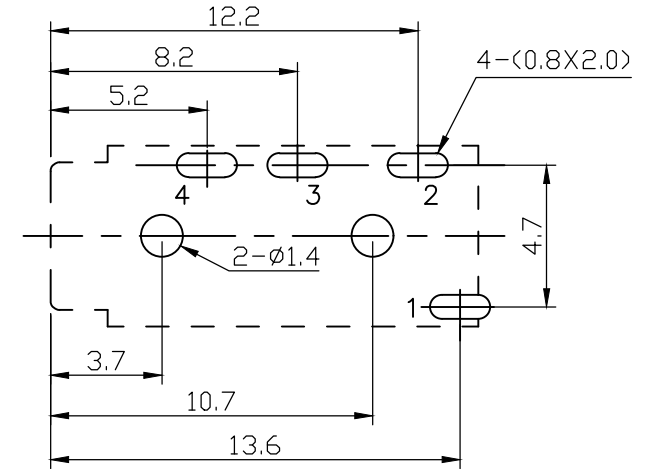
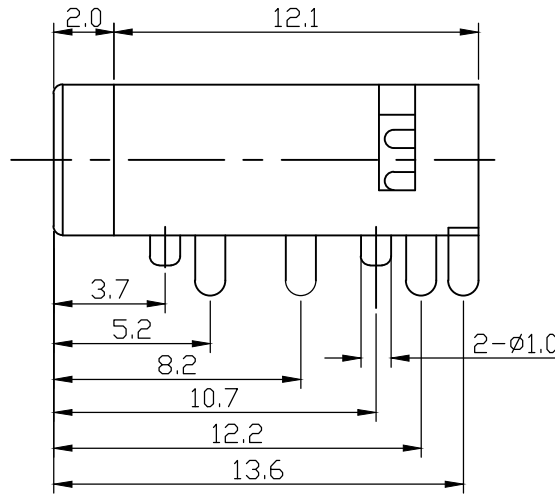
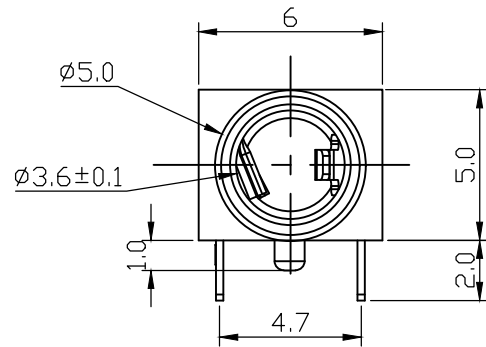


* RoHS COMPLIANT *

| * REVISIONS | | | | |
|-------------|-------------|------|---------|----------|
| LTR | DESCRIPTION | DATE | REVISED | APPROVED |
| | | | | |



T:1.6 Dimensions of PC board holes
Tolerance : ±0.05(Printed-top view)

UNLESS OTHERWISE SPECIFIED, TOLERANCE ON DECIMAL: ±0.2

| | | | | |
|----------------------------|-----------------|------|--------------|---------------------------|
| 5 | HOUSING | 1 | PA9T | UL-94V0(BLACK) |
| 4 | 4# CONTACT FOOT | 1 | C5191 t=0.25 | Ag PLATED |
| 3 | 3# CONTACT FOOT | 1 | C5191 t=0.25 | Ag PLATED |
| 2 | 2# CONTACT FOOT | 1 | C5191 t=0.25 | Ag PLATED |
| 1 | 1# CONTACT FOOT | 1 | C5191 t=0.25 | Ag PLATED |
| LTR | PART NAME | QTY | MATERIAL | REMARK |
| DWN | LILY | DATE | 2013.08.16 | NAME MINIATURE JACK |
| CHKD | ANDY | DATE | 2013.08.16 | |
| APVD | JON | DATE | 2013.08.16 | CAT. NO. PJD-035-39A1 |
| JKCR Electronics Co., Ltd. | | | | DWN.NO. A-035-39A1 001 |