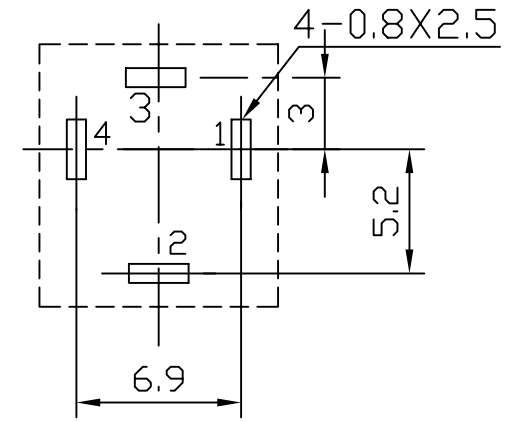
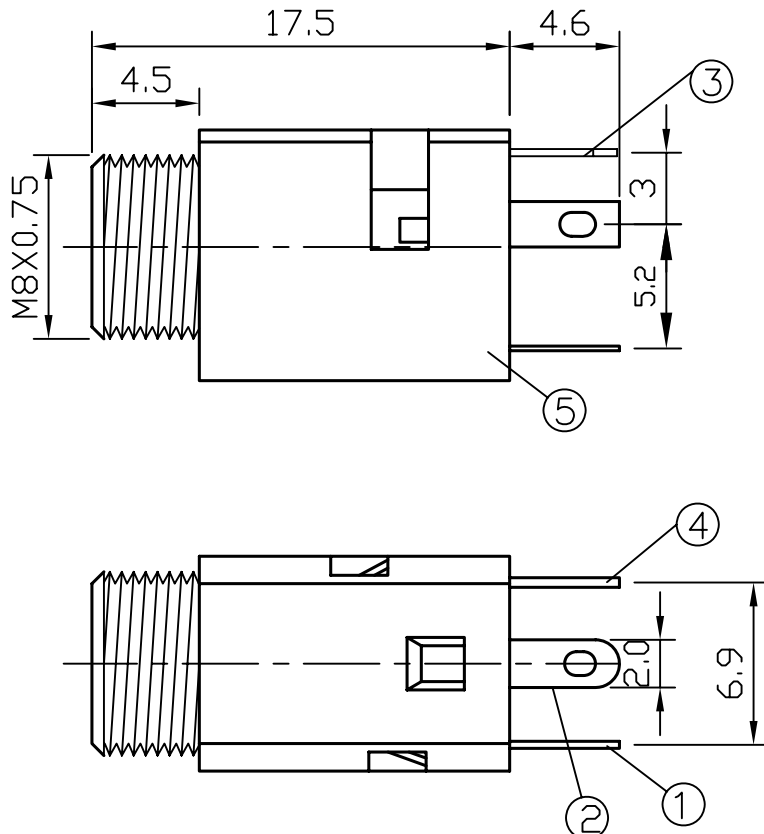
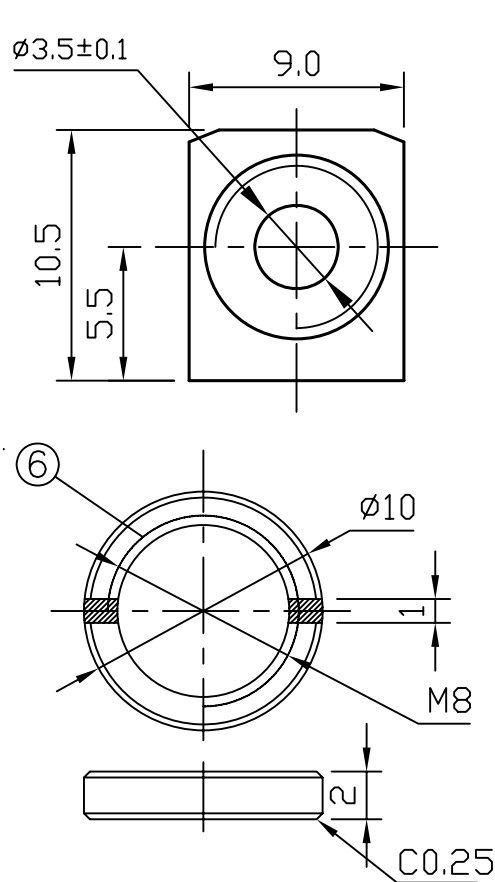
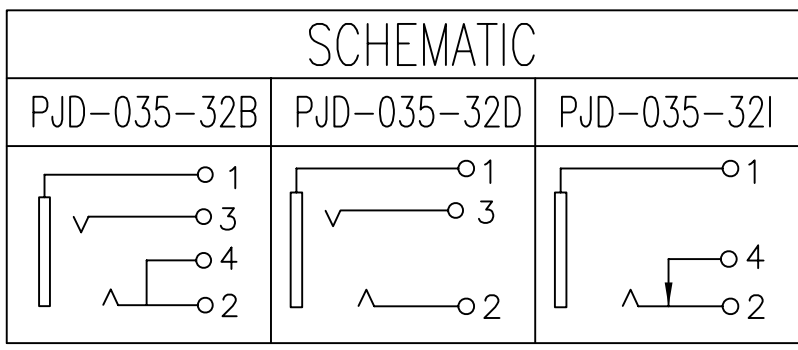


| * REVISIONS | | | | |
|-------------|-------------|------|---------|----------|
| LTR | DESCRIPTION | DATE | REVISED | APPROVED |
| | | | | |



T:1.6 Dimensions of PC board holes
Tolerance : ±0.05(Printed-top view)

LEAD FREE



UNLESS OTHERWISE SPECIFIED, TOLERANCE ON DECIMAL: ±0.3

| 6 | NUT | 1 | H59(COPPER ALLOY) | Ni PLATED |
|----------------------------|-----------------|------|-------------------|---|
| 5 | HOUSING | 1 | PBT 4815 | UL-94V0 |
| 4 | 4# CONTACT FOOT | 1 | C2680 t=0.35 | Ag PLATED |
| 3 | 3# SPRING PIECE | 1 | C5191 t=0.25 | Ag PLATED |
| 2 | 2# SPRING PIECE | 1 | C5191 t=0.25 | Ag PLATED |
| 1 | 1# SPRING PIECE | 1 | C5191 t=0.25 | Ag PLATED |
| LTR | PART NAME | QTY | MATERIAL | REMARK |
| DWN | LILY | DATE | 2013.12.11 | 3RD ANGLE PROJECTION NAME MINIATURE JACK CAT. NO. PJD-035-32 DWN.NO. A-035-32 |
| CHKD | ANDY | DATE | 2013.12.11 | |
| APVD | JON | DATE | 2013.12.11 | |
| JKCR Electronics Co., Ltd. | | | | 001 |