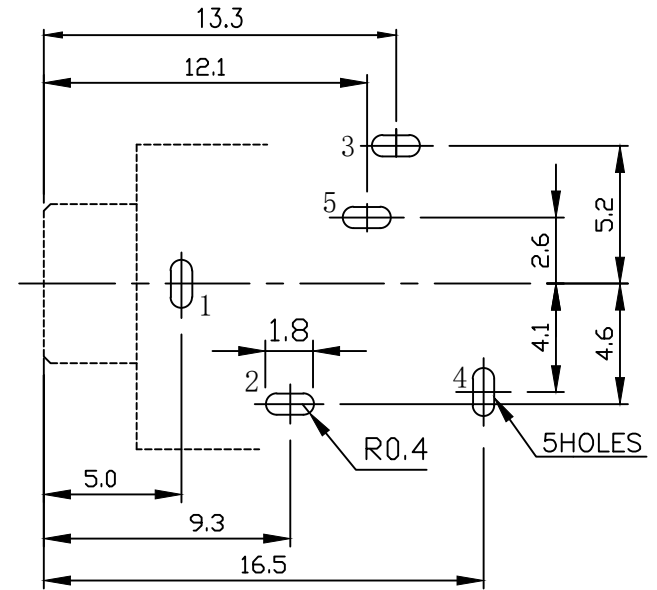
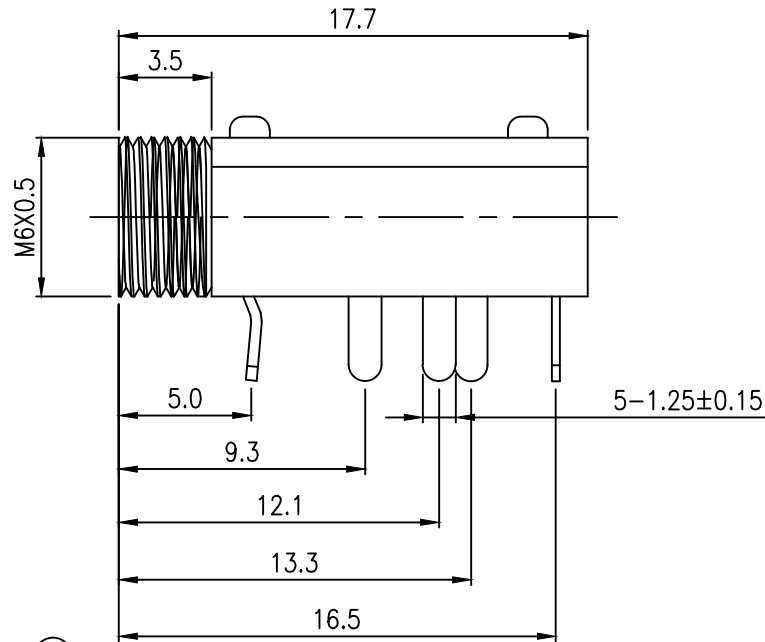
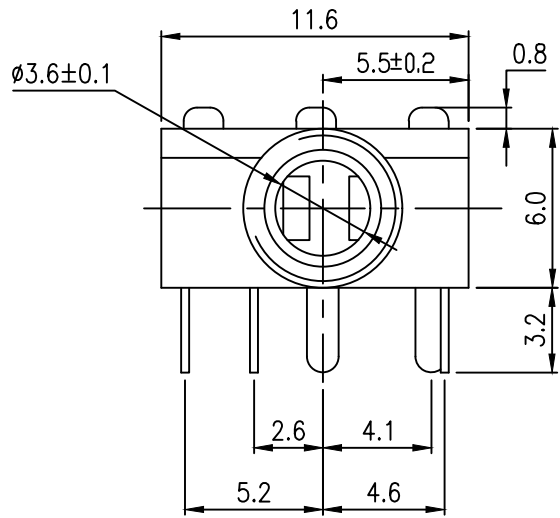
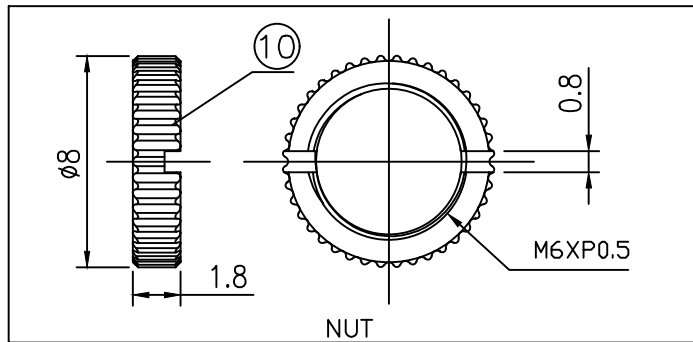
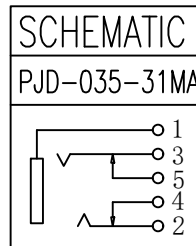
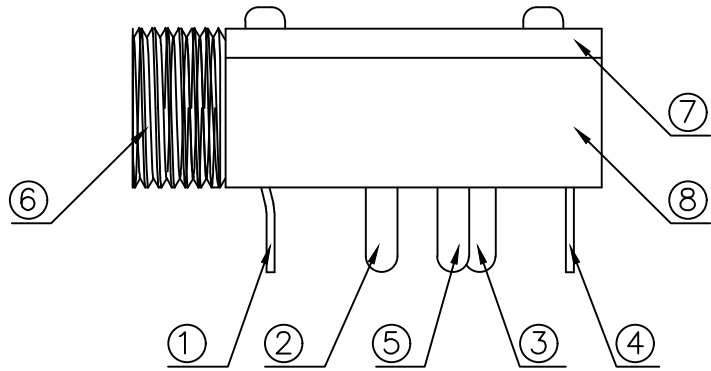


* RoHS COMPLIANT *

* REVISIONS				
LTR	DESCRIPTION	DATE	REVISED	APPROVED



T:1.6 Dimensions of PC board holes
Tolerance : ±0.05(Printed-top view)



UNLESS OTHERWISE SPECIFIED, TOLERANCE ON DECIMAL: ±0.3

10	NUT	1	H59(COPPER ALLOY)	Ni PLATED
9	SPRING	2	SWC	
8	HOUSING	1	PBT 4815	UL-94V0
7	COVER	1	PC	
6	AXIS SUPPORT	1	H59(COPPER ALLOY)	Ni PLATED
5	SHUNT TERMINAL	1	C2680 t=0.30	Ag PLATED
4	SHUNT TERMINAL	1	C2680 t=0.30	Ag PLATED
3	RING SPRING	1	C5191 t=0.30	Ag PLATED
2	TIP SPRING	1	C2680 t=0.30	Ag PLATED
1	EARTH TERMINAL	1	C2680 t=0.45	Ag PLATED

LTR	PART NAME	QTY	MATERIAL	REMARK
DWN	LILY	DATE	2016.10.14	3RD ANGLE PROJECTION
CHKD	ANDY	DATE	2016.10.14	
APVD	JON	DATE	2016.10.14	

JKCR Electronics Co., Ltd.				NAME	MINIATURE JACK
				CAT. NO.	PJD-035-31MA
				DWN.NO.	A-035-31
					001