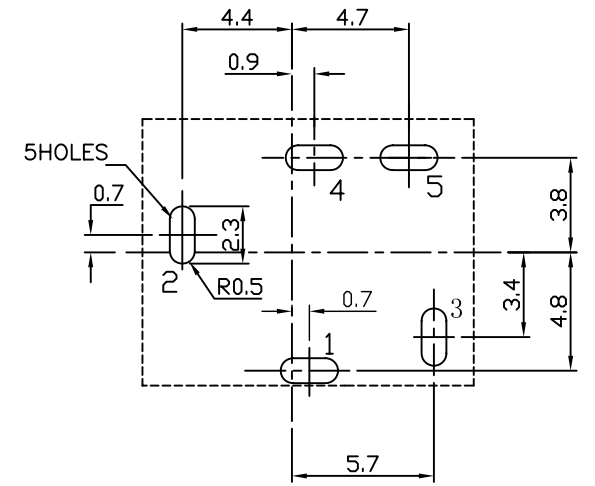
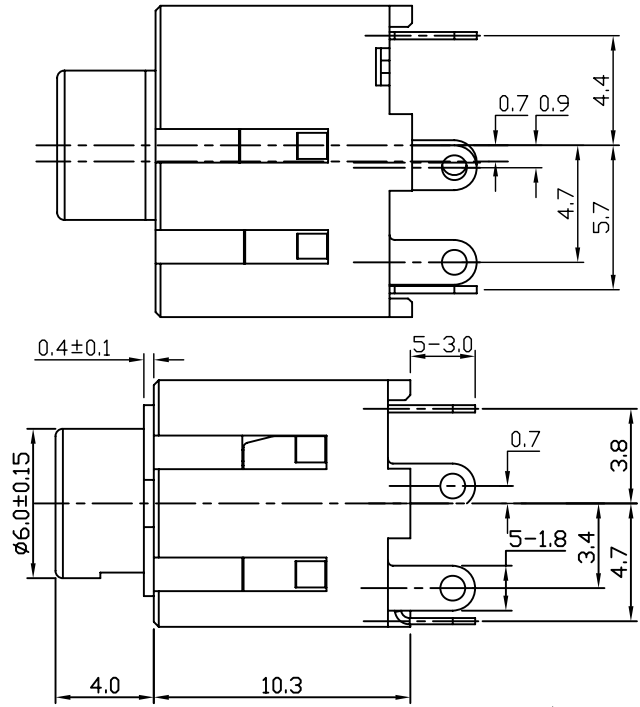
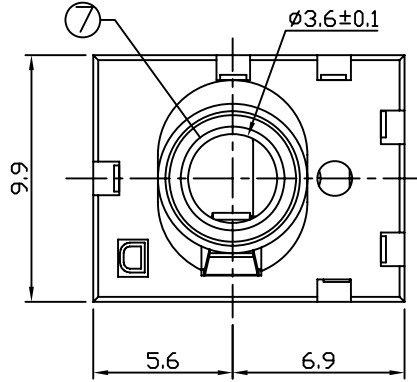
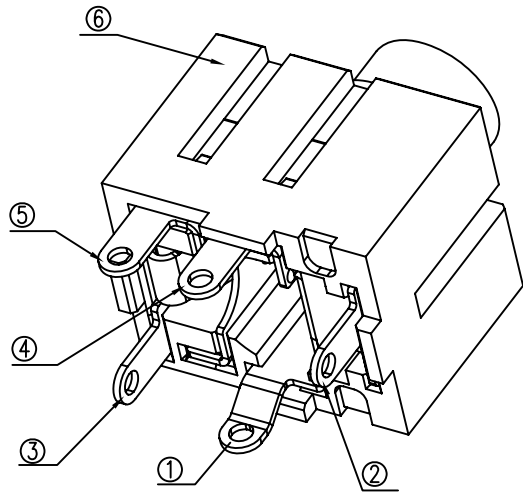


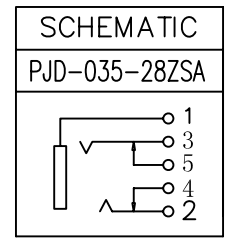
* REVISIONS				
LTR	DESCRIPTION	DATE	REVISED	APPROVED



T:1.6 Dimensions of PC board holes
Tolerance : ±0.05(Printed-top view)

LEAD FREE

MODEL NO.	COLOR
PJD-035-28ZSAB	BLACK



7	AXIS SUPPORT	1	H59(COPPER ALLOY)	Ni PLATED
6	HOUSING	1	PBT 4815	UL-94V0
5	5# CONTACT FOOT	1	C2680 t=0.30	Ag PLATED
4	4# CONTACT FOOT	1	C2680 t=0.30	Ag PLATED
3	3# SPRING PIECE	1	C5191 t=0.30	Ag PLATED
2	2# SPRING PIECE	1	C5191 t=0.30	Ag PLATED
1	1# SPRING PIECE	1	C5191 t=0.25	Ag PLATED

LTR	PART NAME	QTY	MATERIAL	REMARK
DWN	LILY	DATE	2013.03.28	3RD ANGLE PROJECTION NAME MINIATURE JACK CAT. NO. PJD-035-28ZAB DWN.NO. A-035-28
CHKD	ANDY	DATE	2013.03.28	
APVD	JON	DATE	2013.03.28	
JKCR Electronics Co., Ltd.				001

UNLESS OTHERWISE SPECIFIED, TOLERANCE ON DECIMAL: ±0.3